

Technical data

Axial fans Series FE



Axial fans Series FE

Contents of delivery

Standard version

Voltage

1~ 115 V

3~ two-speed 460 V Δ/Y

Frequency

60 Hz

Thermal insulation class

155 (previous: insulation class F)

Protection

IP 54

Motor protection

Thermostat switch (TB)

Paint finish

RAL 9005 black

Accessories

See section Accessories

Necessary order data

Article no., Type

On request, at extra charge

- Different voltage to 115 resp. 460 V
- 50 Hz



FE... design K



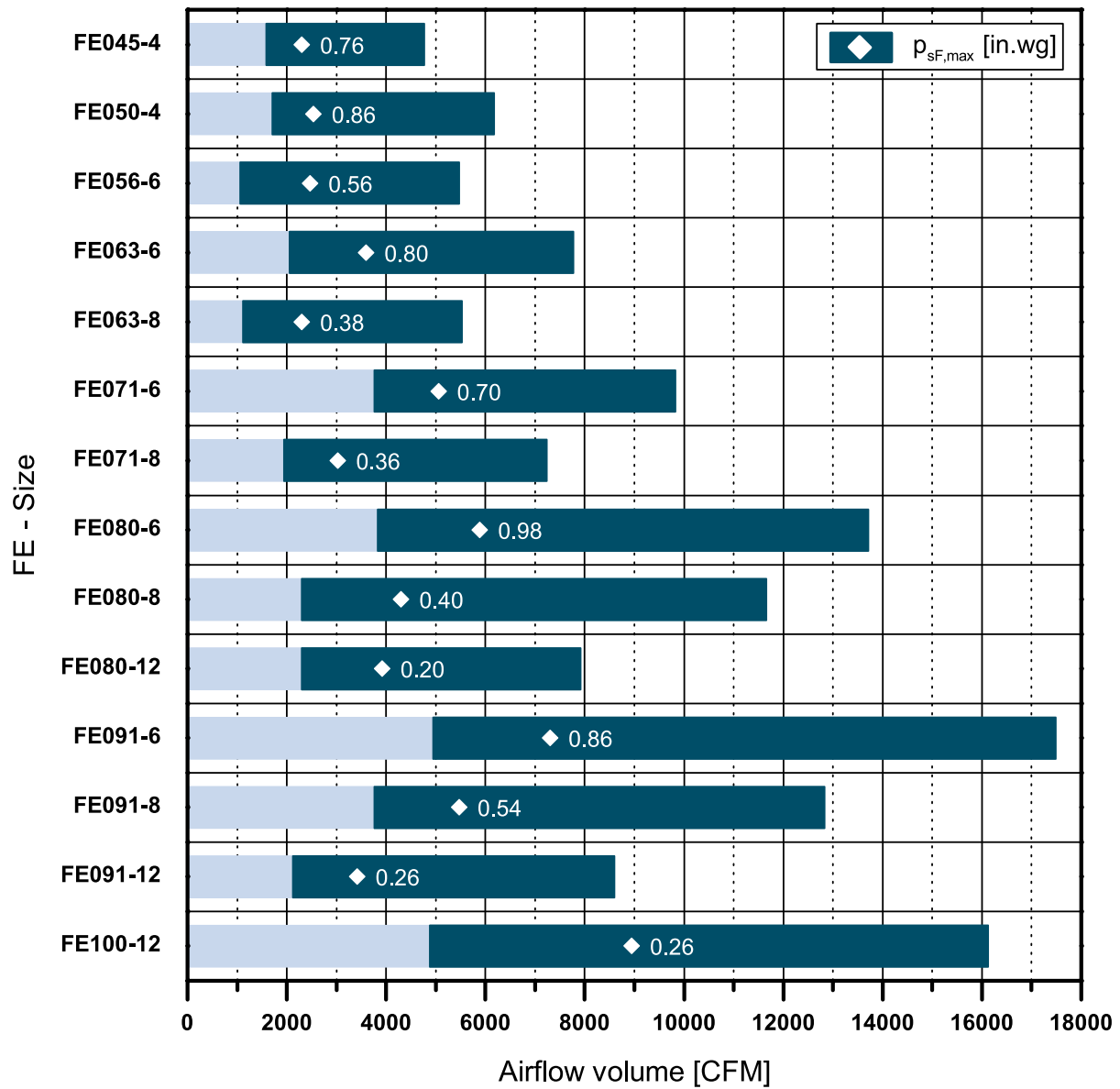
FE... design Q / "V"



FE... design Q / "A"

FE

Quick selection



FE

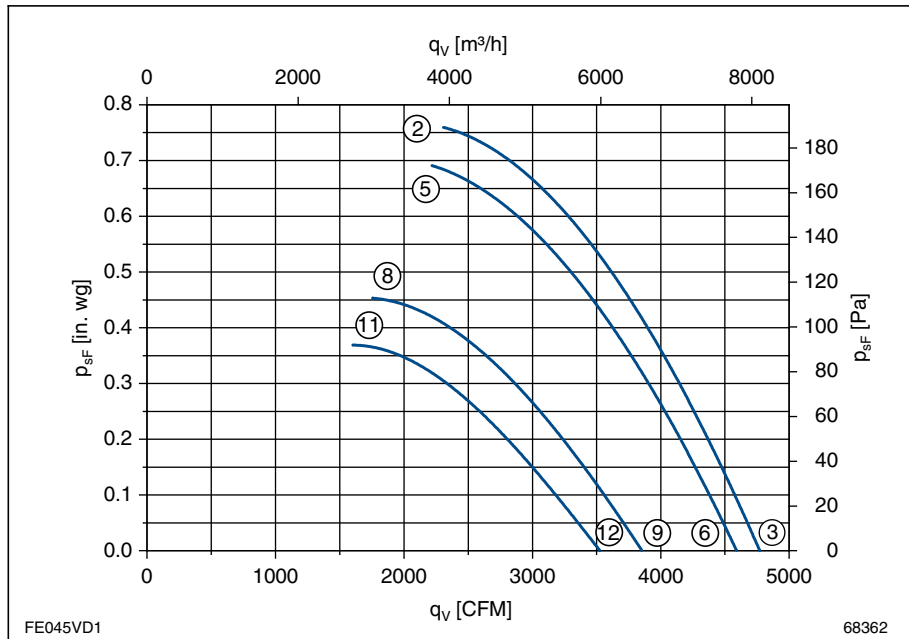
FE045-VD_.4I.V7

Performance data

3 ~ 460V Δ/Y 60Hz

P_1	0.8/0.5	kW
I	1.35/0.73	A
n	1520/1170	rpm
I_A	4.5/1.5	A
ΔI	0	%
t_R	70/158	°C/°F

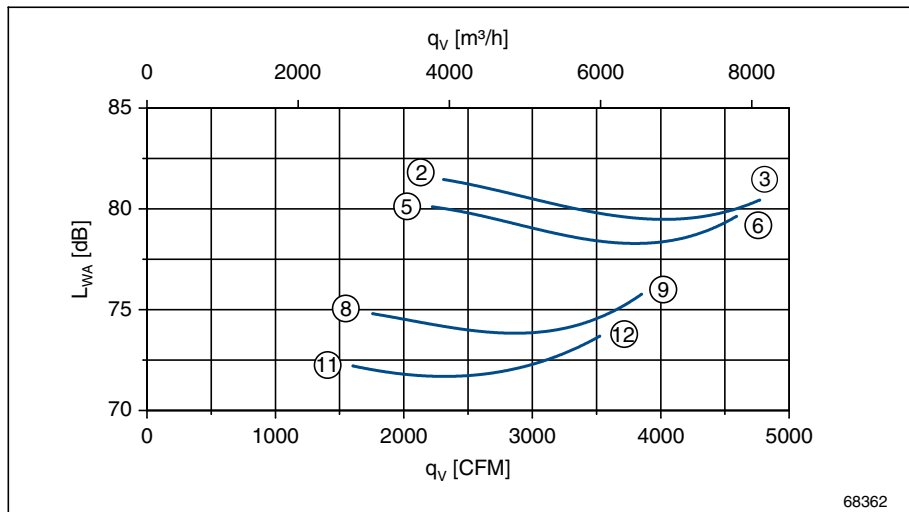
Characteristic data



	U	I	P_1	n
	V	A	W	rpm
②	460	1.35	800	1520
③	Δ	1.20	670	1570
⑤	400	1.30	720	1450
⑥	Δ	1.15	610	1510
⑧	460	0.73	500	1170
⑨	Y	0.66	440	1270
⑪	400	0.70	410	1060
⑫	Y	0.64	380	1160

$$p_{d2} = 1.8 \cdot 10^{-6} \cdot q_v^2$$

measured in full bell mouth
without guard grille in installation
type A according to ISO 5801



Dimension sheet

Type	Article no.	Design	Airflow direction	Weight		Connection diagram	Dimension sheet	Page
				kg	lbs.			
FE045-VDA.4I.V7	140 661	A	V	10	22	108XA	L-KL-2664	35
FE045-VDK.4I.V7	140 662	K	V	13	28	108XA	L-KL-2665	38
FE045-VDQ.4I.V7	140 663	Q	V	16	34	108XA	L-KL-2666	41

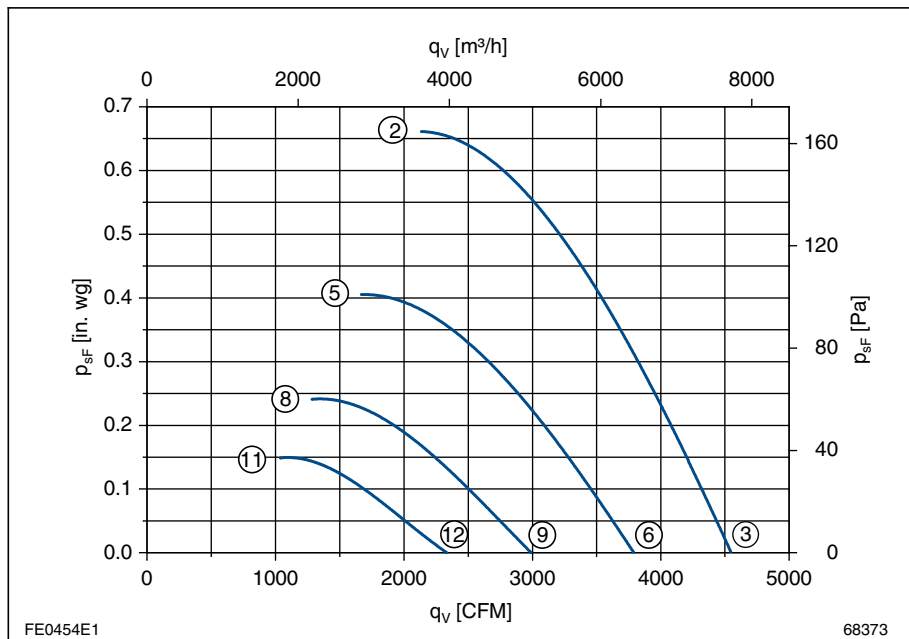
FE045-4E_.4I.V7

Performance data

1 ~ 115V 60Hz

P_1	0.84	kW
I	7.3	A
n	1410	rpm
I_A	14	A
ΔI	0	%
C_{230V}	55	μF
t_R	70/158	$^{\circ}C/^{\circ}F$

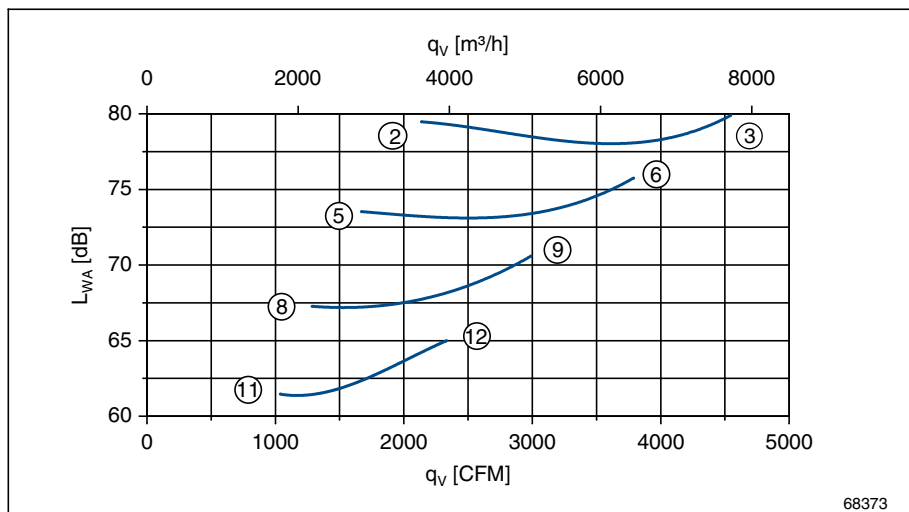
Characteristic data



	U	I	P_1	n
	V	A	W	rpm
②	115	7.3	840	1410
③		6.6	760	1500
⑤	85	6.8	570	1110
⑥		6.3	530	1260
⑧	68	5.9	390	860
⑨		5.7	380	990
⑪	55	5.1	270	670
⑫		5.0	260	780

$$p_{d2} = 1.8 \cdot 10^{-6} \cdot q_v^2$$

measured in full bell mouth
without guard grille in installation
type A according to ISO 5801



Dimension sheet

Type	Article no.	Design	Airflow direction	Weight		Connection diagram	Dimension sheet	Page
				kg	lbs.			
FE045-4EA.4I.V7	140 664	A	V	10	22	117XA	L-KL-2667	36
FE045-4EK.4I.V7	140 665	K	V	13	28	117XA	L-KL-2668	39
FE045-4EQ.4I.V7	140 666	Q	V	16	34	117XA	L-KL-2669	42

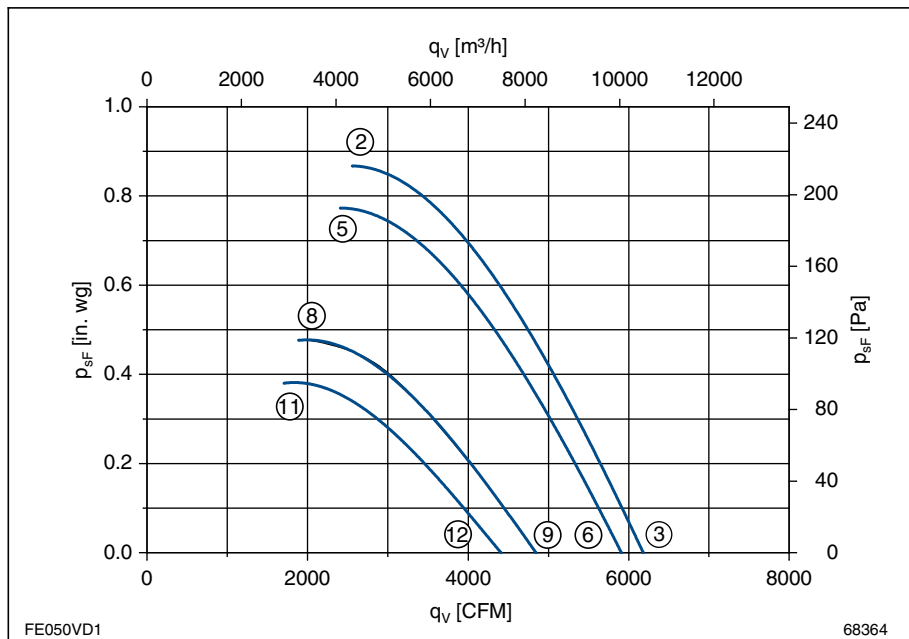
FE050-VD_.4I.V7

Performance data

3 ~ 460V Δ/Y 60Hz

P_1	1.2/0.71	kW
I	2.0/1.05	A
n	1470/1090	rpm
I_A	5.5/1.9	A
ΔI	0	%
t_R	65/149	°C/°F

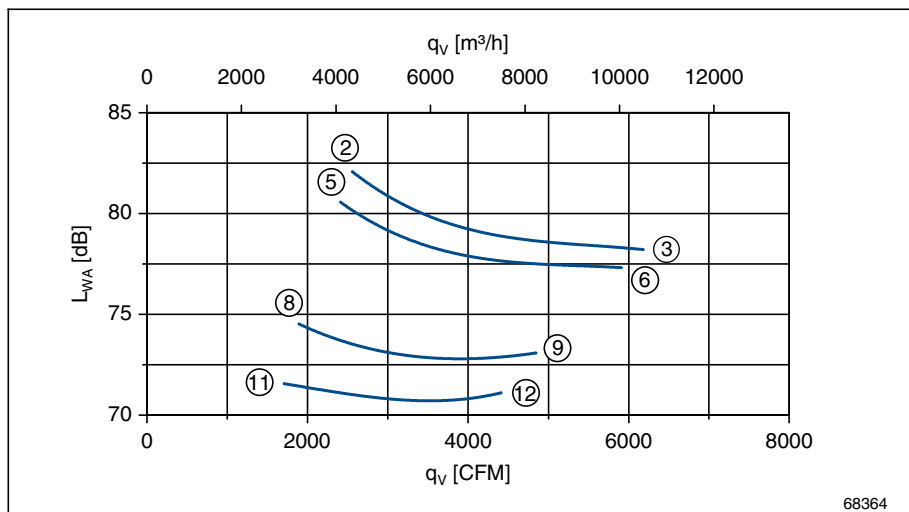
Characteristic data



	U	I	P_1	n
	V	A	W	rpm
②	460	2.0	1210	1470
③	Δ	1.7	930	1570
⑤	400	1.95	1090	1390
⑥	Δ	1.6	840	1500
⑧	460	1.05	710	1090
⑨	Y	0.89	600	1240
⑪	400	0.99	580	980
⑫	Y	0.87	510	1130

$$p_{d2} = 1.2 \cdot 10^{-6} \cdot q_v^2$$

measured in full bell mouth
without guard grille in installation
type A according to ISO 5801



Dimension sheet

Type	Article no.	Design	Airflow direction	Weight		Connection diagram	Dimension sheet	Page
				kg	lbs.			
FE050-VDA.4I.V7	140 649	A	V	11	23	108XA	L-KL-2664	35
FE050-VDK.4I.V7	140 650	K	V	16	35	108XA	L-KL-2665	38
FE050-VDQ.4I.V7	140 651	Q	V	17	38	108XA	L-KL-2666	41

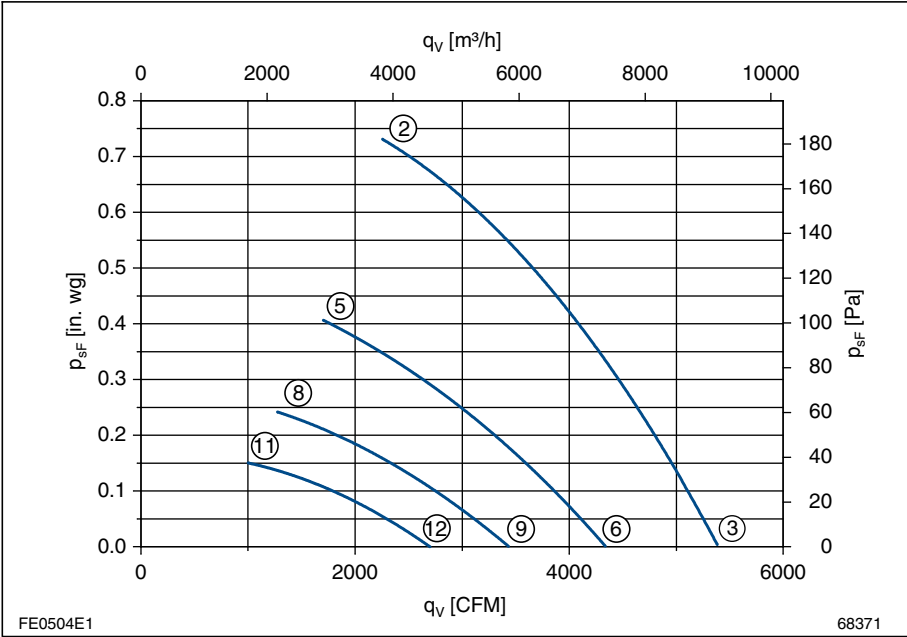
FE050-4E_.4M.V7

Performance data

1 ~ 115V 60Hz

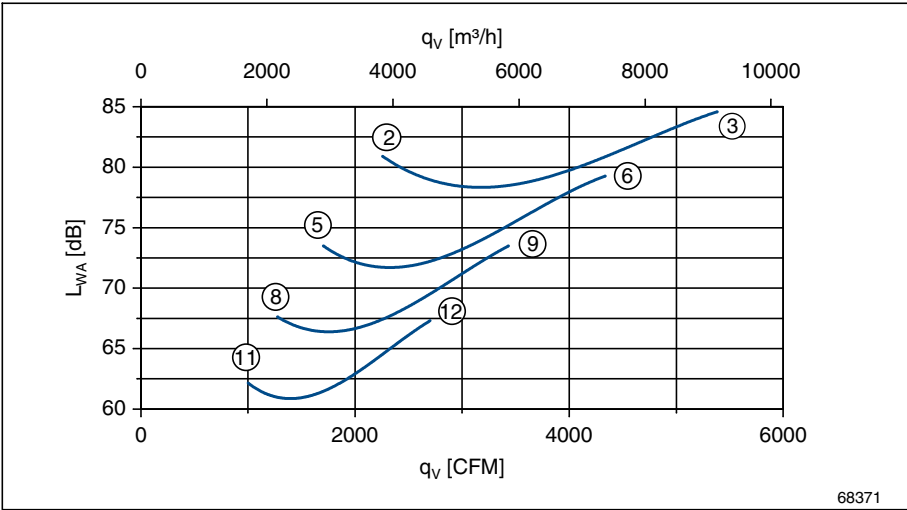
P_1	1.0	kW
I	8.90	A
n	1300	rpm
I_A	13	A
ΔI	0	%
C_{230V}	65	μF
t_R	70/158	$^{\circ}C/^{\circ}F$

Characteristic data



	U	I	P_1	n
	V	A	W	rpm
②	115	8.9	1020	1300
③		7.6	870	1460
⑤	85	7.9	650	970
⑥		7.1	600	1190
⑧	68	6.6	440	760
⑨		6.3	420	950
⑪	55	5.6	290	600
⑫		5.4	280	750

$$p_{d2} = 1.2 \cdot 10^{-6} \cdot q_v^2$$



measured in full bell mouth without guard grille in installation type A according to ISO 5801

Dimension sheet

Type	Article no.	Design	Airflow direction	Weight		Connection diagram	Dimension sheet	Page
				kg	lbs.			
FE050-4EA.4M.V7	140 667	A	V	12	27	117XA	L-KL-2667	36
FE050-4EK.4M.V7	140 668	K	V	15	32	117XA	L-KL-2668	39
FE050-4EQ.4M.V7	140 669	Q	V	19	42	117XA	L-KL-2669	42

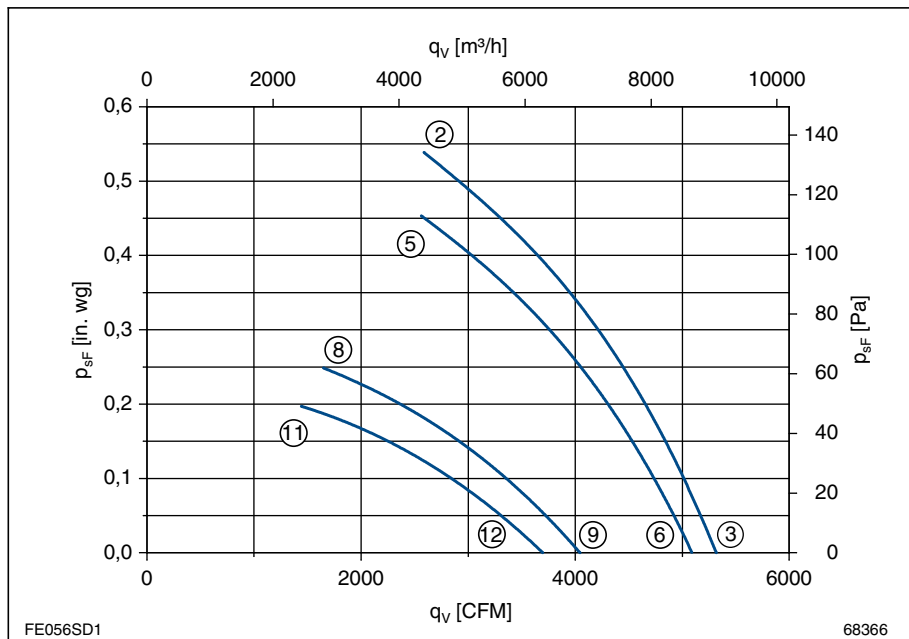
FE056-SD_.4F.V7

Performance data

3 ~ 460V Δ/Y 60Hz

P_1	0.62/0.36	kW
I	0.92/0.53	A
n	1000/680	rpm
I_A	2.5/0.8	A
ΔI	5	%
t_R	70/158	°C/°F

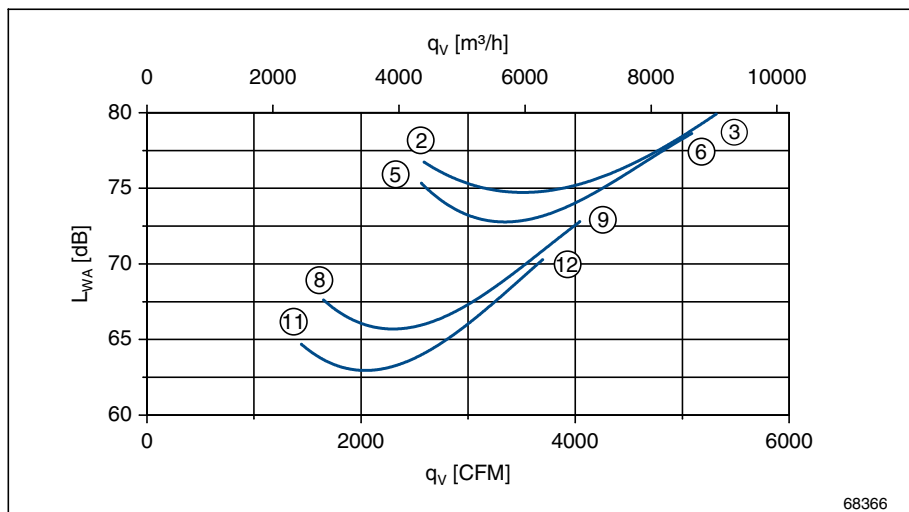
Characteristic data



	U	I	P_1	n
	V	A	W	rpm
②	460	0.92	620	1000
③	Δ	0.71	450	1070
⑤	400	0.95	570	940
⑥	Δ	0.72	420	1030
⑧	460	0.53	360	680
⑨	Y	0.45	310	820
⑪	400	0.51	300	600
⑫	Y	0.45	270	750

$$p_{d2} = 7.7 \cdot 10^{-7} \cdot q_v^2$$

measured in full bell mouth
without guard grille in installation
type A according to ISO 5801



Dimension sheet

Type	Article no.	Design	Airflow direction	Weight		Connection diagram	Dimension sheet	Page
				kg	lbs.			
FE056-SDA.4F.V7	140 652	A	V	9.1	20	108XA	L-KL-2664	35
FE056-SDK.4F.V7	140 653	K	V	15	34	108XA	L-KL-2665	38
FE056-SDQ.4F.V7	140 654	Q	V	20	43	108XA	L-KL-2666	41

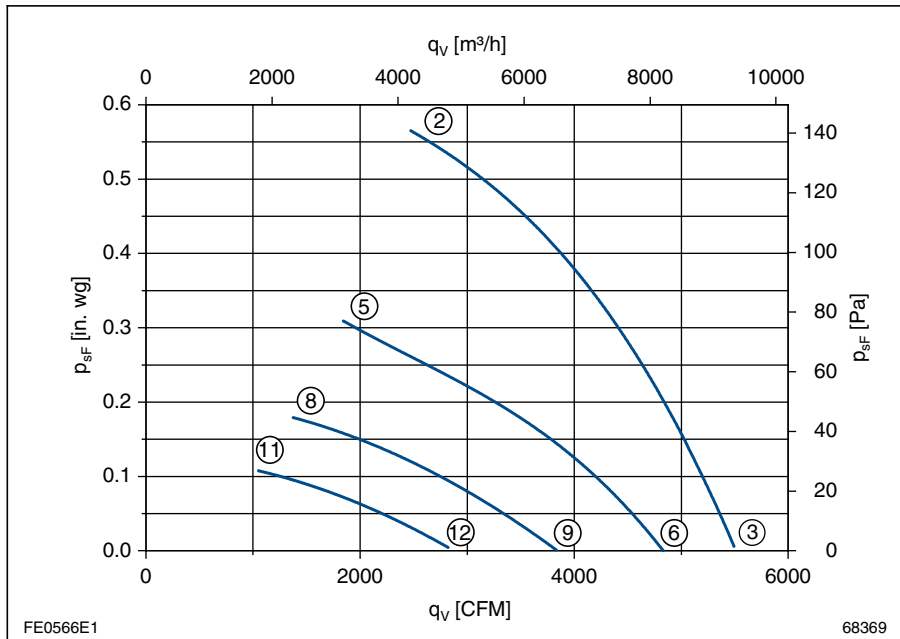
FE056-6E_.4I.V7

Performance data

1 ~ 115V 60Hz

P_1	0.72	kW
I	6.30	A
n	1030	rpm
I_A	10	A
ΔI	0	%
C_{230V}	50	μF
t_R	55/131	$^{\circ}C/^{\circ}F$

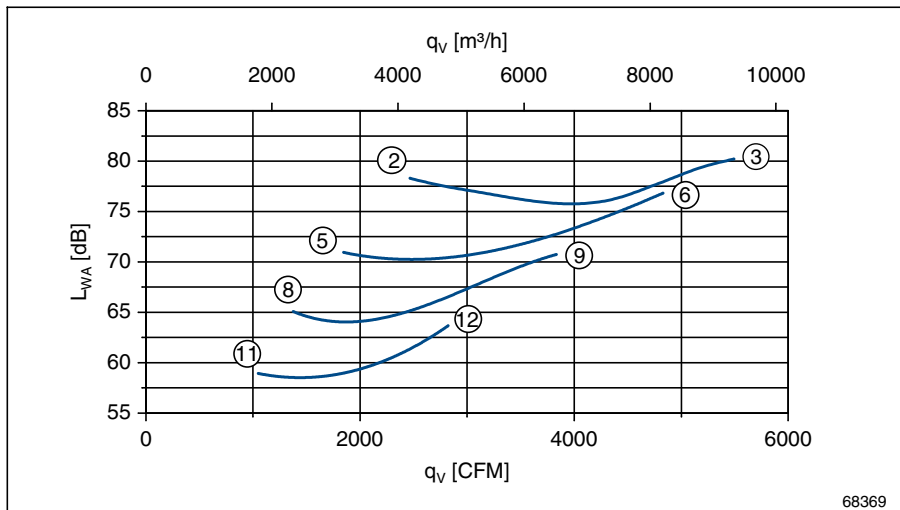
Characteristic data



	U	I	P_1	n
	V	A	W	rpm
②	115	6.3	720	1030
③		5.4	620	1100
⑤	85	5.7	470	760
⑥		5.1	430	980
⑧	68	4.9	310	590
⑨		4.6	300	780
⑪	55	4.0	200	450
⑫		3.9	200	580

$$p_{d2} = 7.7 \cdot 10^{-7} \cdot q_v^2$$

measured in full bell mouth
without guard grille in installation
type A according to ISO 5801



Dimension sheet

Type	Article no.	Design	Airflow direction	Weight		Connection diagram	Dimension sheet	Page
				kg	lbs.			
FE056-6EA.4I.V7	140 670	A	V	11	24	117XA	L-KL-2667	36
FE056-6EK.4I.V7	140 671	K	V	17	36	117XA	L-KL-2668	39
FE056-6EQ.4I.V7	140 672	Q	V	21	47	117XA	L-KL-2669	42

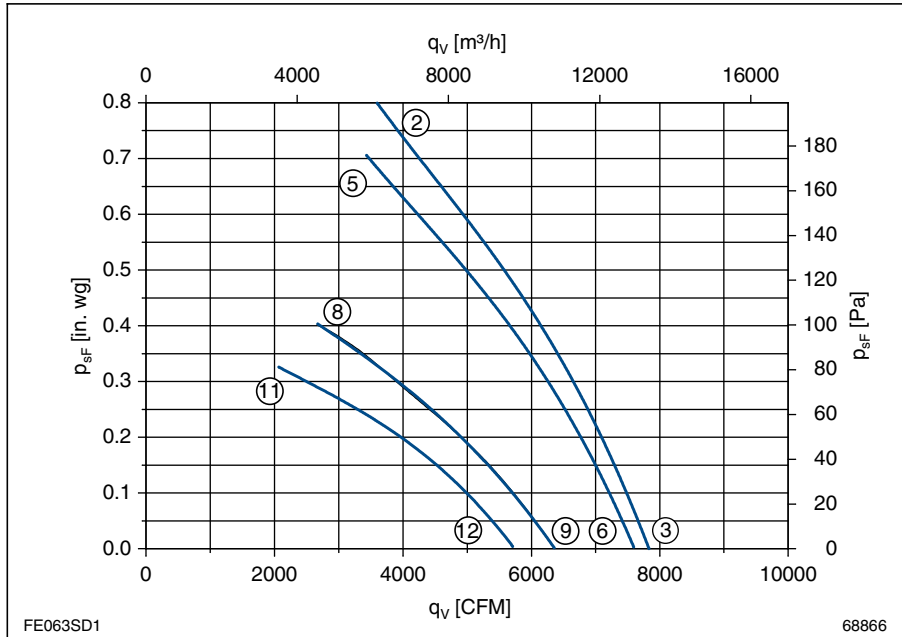
FE063-SD_.4M.V7

Performance data

3 ~ 460V Δ/Y 60Hz

P_1	1.15/0.68	kW
I	1.90/1.10	A
n	1050/750	rpm
I_A	5.4/1.7	A
ΔI	0	%
t_R	65/149	°C/°F

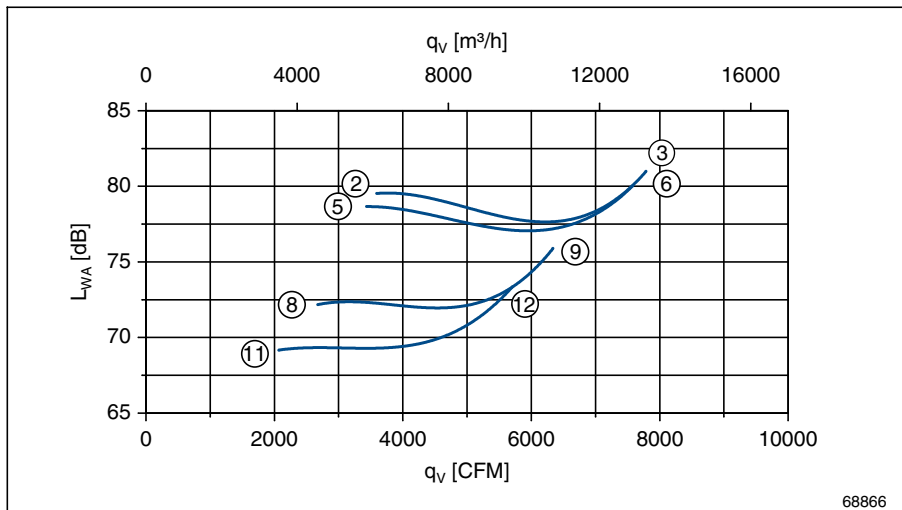
Characteristic data



	U	I	P_1	n
	V	A	W	rpm
②	460	1.90	1150	1050
③	Δ	1.50	780	1110
⑤	400	1.95	1050	990
⑥	Δ	1.45	740	1080
⑧	460	1.10	680	750
⑨	Y	0.87	560	910
⑪	400	1.05	560	660
⑫	Y	0.87	480	820

$$p_{d2} = 4.6 \cdot 10^{-7} \cdot q_v^2$$

measured in full bell mouth
without guard grille in installation
type A according to ISO 5801



Dimension sheet

Type	Article no.	Design	Airflow direction	Weight		Connection diagram	Dimension sheet	Page
				kg	lbs.			
FE063-SDA.4M.V7	140 655	A	V	13	29	108XA	L-KL-2664	35
FE063-SDK.4M.V7	140 656	K	V	19	41	108XA	L-KL-2665	38
FE063-SDQ.4M.V7	140 657	Q	V	26	58	108XA	L-KL-2666	41

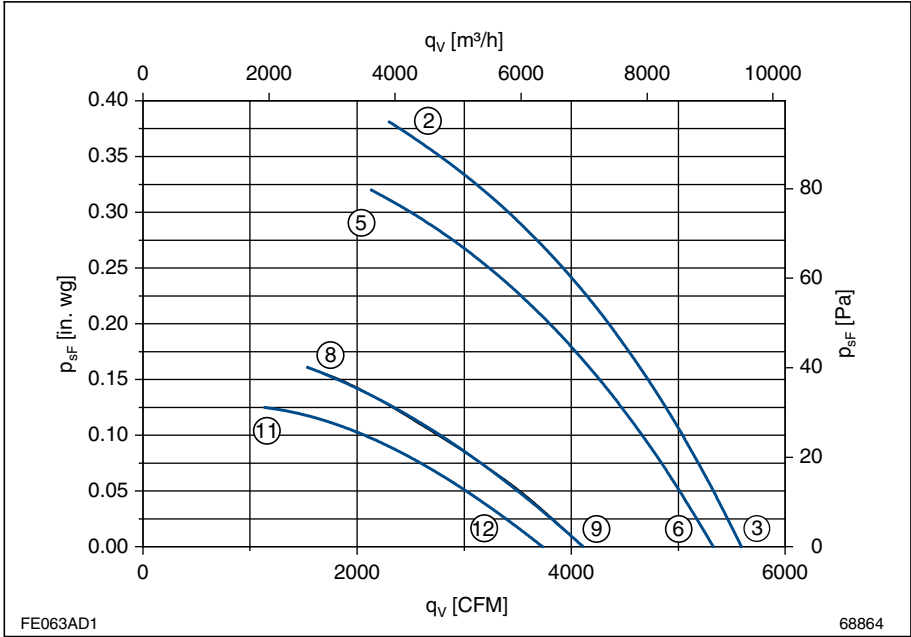
FE063-AD_.4I.V7

Performance data

3 ~ 460V Δ/Y 60Hz

P_1	0.48/0.23	kW
I	0.94/0.43	A
n	720/470	rpm
I_{Δ}	3.0/1.0	A
ΔI	0	%
t_R	65/149	°C/°F

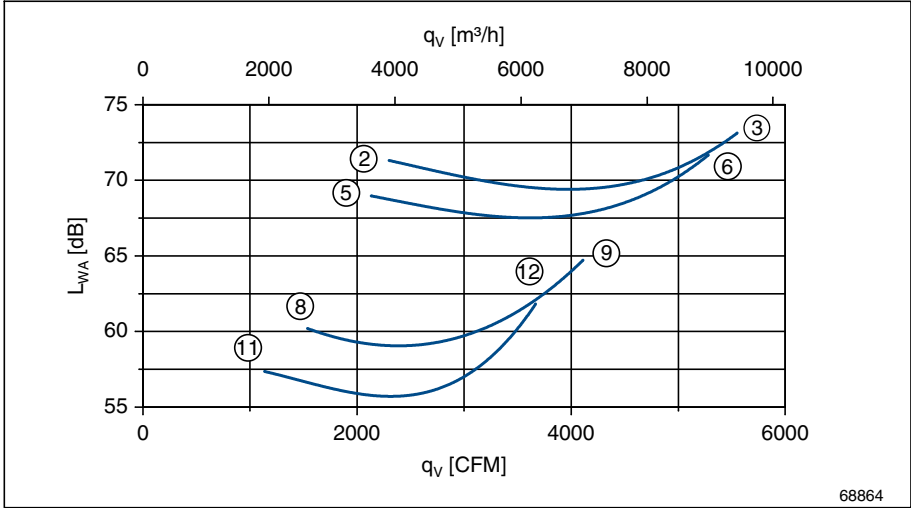
Characteristic data



	U	I	P_1	n
	V	A	W	rpm
②	460	0.94	480	720
③	Δ	0.79	360	790
⑤	400	0.90	410	670
⑥	Δ	0.75	320	760
⑧	460	0.43	230	470
⑨	Y	0.38	200	580
⑪	400	0.40	180	420
⑫	Y	0.37	165	530

$$p_{d2} = 4.6 \cdot 10^{-7} \cdot q_v^2$$

measured in full bell mouth without guard grille in installation type A according to ISO 5801



Dimension sheet

Type	Article no.	Design	Airflow direction	Weight		Connection diagram	Dimension sheet	Page
				kg	lbs.			
FE063-ADA.4I.V7	140 658	A	V	11	25	108XA	L-KL-2664	35
FE063-ADK.4I.V7	140 659	K	V	16	35	108XA	L-KL-2665	38
FE063-ADQ.4I.V7	140 660	Q	V	24	53	108XA	L-KL-2666	41

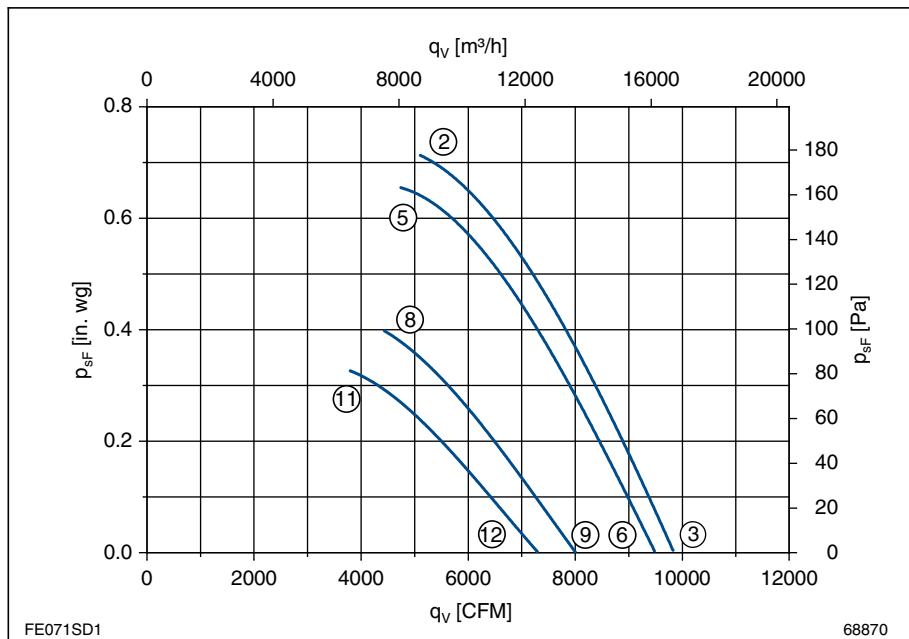
FE071-SD_.6K.V7

Performance data

3 ~ 460V Δ/Y 60Hz

P_1	1.35/0.85	kW
I	2.1/1.3	A
n	1040/800	rpm
I_A	10.5/3.5	A
ΔI	5	%
t_R	70/158	°C/°F

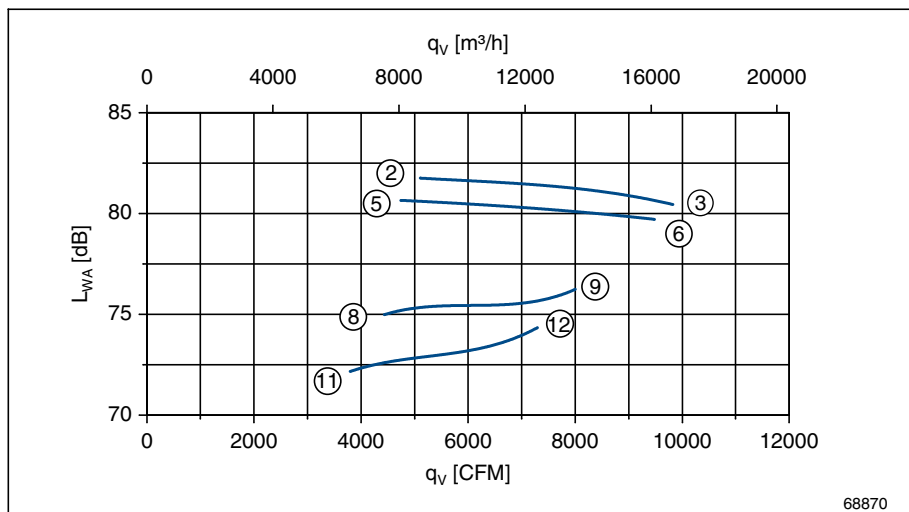
Characteristic data



	U	I	P_1	n
	V	A	W	rpm
②	460	2.10	1350	1040
③	Δ	1.75	1050	1080
⑤	400	2.20	1250	990
⑥	Δ	1.80	980	1050
⑧	460	1.30	850	800
⑨	Y	1.10	730	890
⑪	400	1.25	710	710
⑫	Y	1.10	630	810

$$p_{d2} = 2.9 \cdot 10^{-7} \cdot q_v^2$$

measured in full bell mouth
without guard grille in installation
type A according to ISO 5801



Dimension sheet

Type	Article no.	Design	Airflow direction	Weight		Connection diagram	Dimension sheet	Page
				kg	lbs.			
FE071-SDA.6K.V7	141 479	A	V	21	47	108XA	L-KL-2670	37
FE071-SDK.6K.V7	141 480	K	V	30	66	108XA	L-KL-2671	40
FE071-SDQ.6K.V7	141 481	Q	V	38	84	108XA	L-KL-2672	43

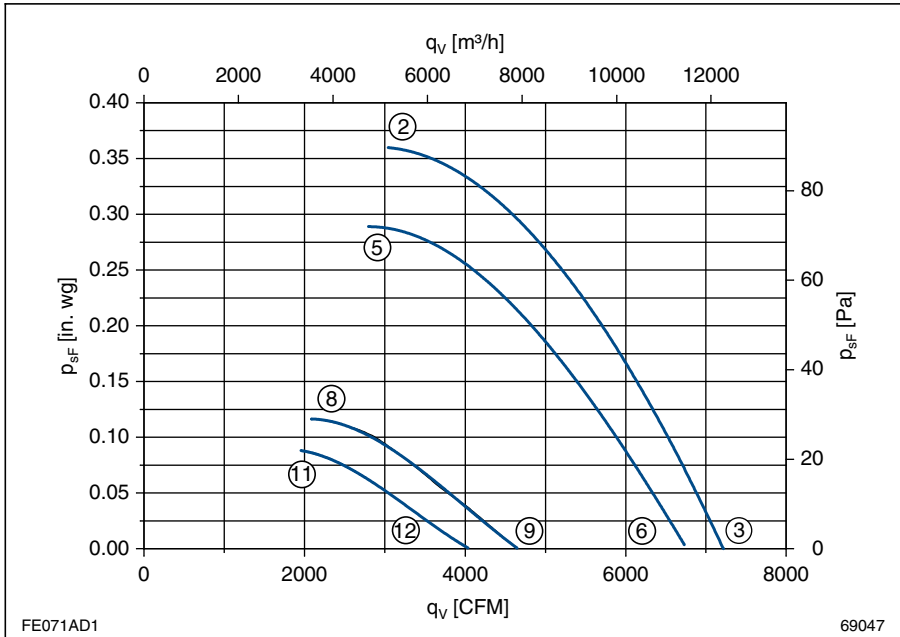
FE071-AD_.6F.V7

Performance data

3 ~ 460V Δ/Y 60Hz

P_1	0.63/0.25	kW
I	1.3/0.56	A
n	720/420	rpm
I_A	3.5/1.2	A
ΔI	0	%
t_R	70/158	°C/°F

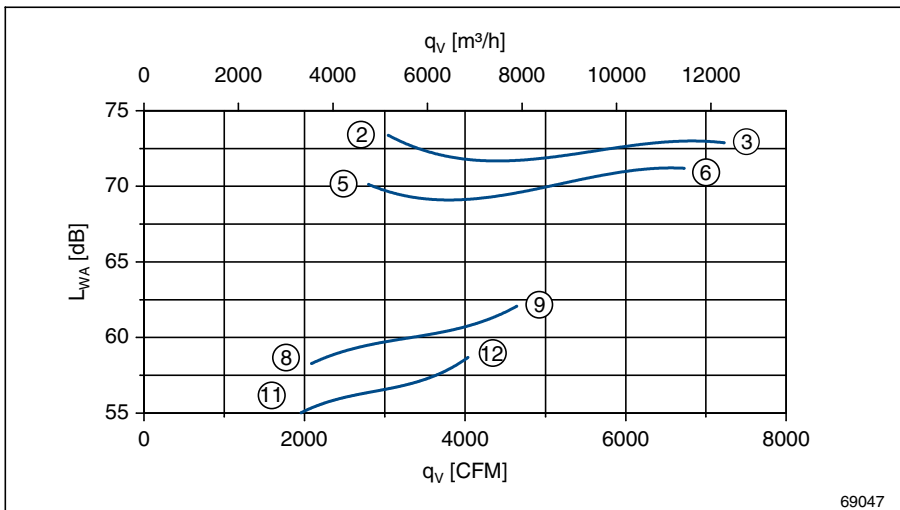
Characteristic data



	U	I	P_1	n
	V	A	W	rpm
②	460	1.30	630	720
③	Δ	1.05	500	790
⑤	400	1.25	530	650
⑥	Δ	1.05	440	740
⑧	460	0.56	250	420
⑨	Y	0.53	240	510
⑪	400	0.50	190	370
⑫	Y	0.49	185	450

$$p_{d2} = 2.9 \cdot 10^{-7} \cdot q_v^2$$

measured in full bell mouth
without guard grille in installation
type A according to ISO 5801



Dimension sheet

Type	Article no.	Design	Airflow direction	Weight		Connection diagram	Dimension sheet	Page
				kg	lbs.			
FE071-ADA.6F.V7	140 673	A	V	16	35	108XA	L-KL-2670	37
FE071-ADK.6F.V7	140 674	K	V	25	55	108XA	L-KL-2671	40
FE071-ADQ.6F.V7	140 675	Q	V	33	73	108XA	L-KL-2672	43

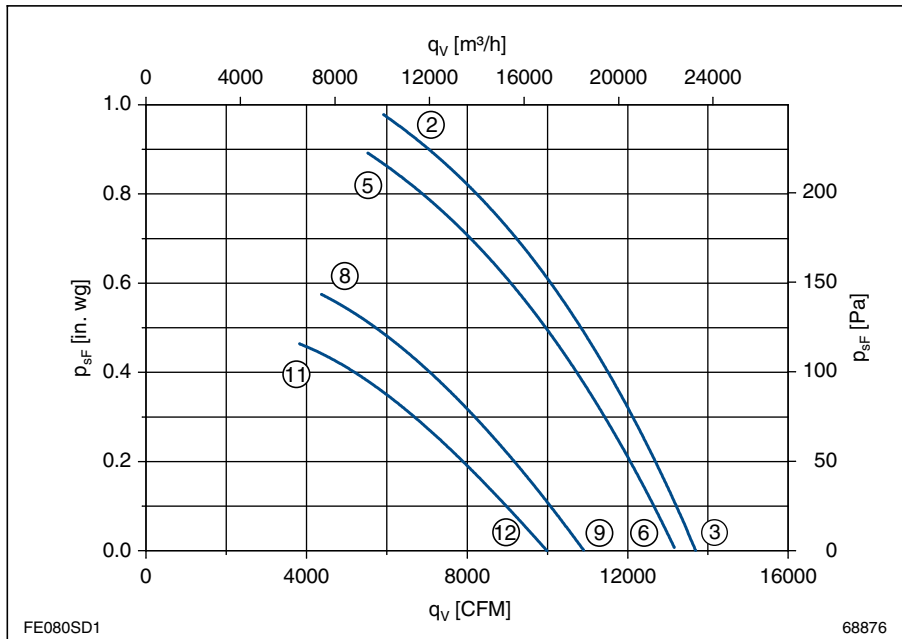
FE080-SD_.6N.V7

Performance data

3 ~ 460V Δ/Y 60Hz

P_1	2.0/1.2	kW
I	3.7/1.95	A
n	1050/800	rpm
I_A	14/4.7	A
ΔI	0	%
t_R	70/158	°C/°F

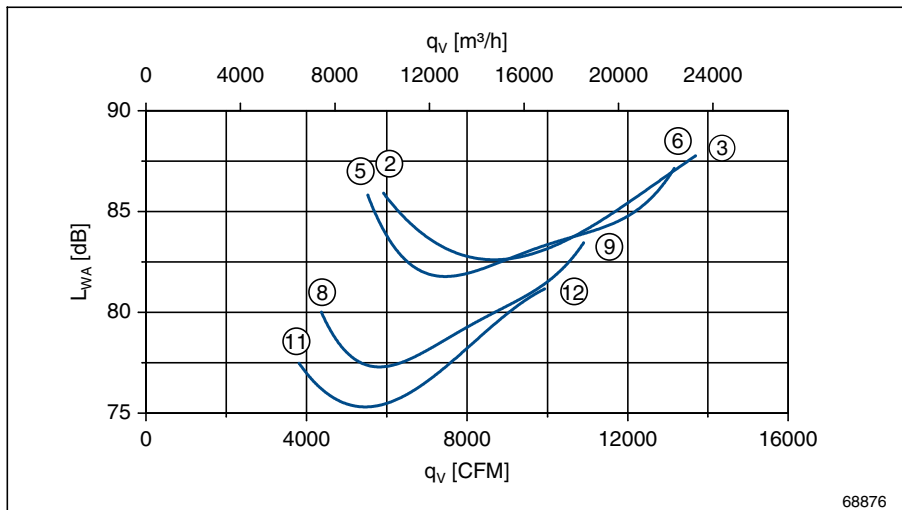
Characteristic data



	U	I	P_1	n
	V	A	W	rpm
②	460	3.7	2000	1050
③	Δ	3.2	1620	1080
⑤	400	3.6	1810	1000
⑥	Δ	3.1	1490	1050
⑧	460	1.95	1200	800
⑨	Y	1.75	1060	870
⑪	400	1.85	990	730
⑫	Y	1.70	900	800

$$p_{d2} = 1.9 \cdot 10^{-7} \cdot q_v^2$$

measured in full bell mouth
without guard grille in installation
type A according to ISO 5801



Dimension sheet

Type	Article no.	Design	Airflow direction	Weight		Connection diagram	Dimension sheet	Page
				kg	lbs.			
FE080-SDA.6N.V7	140 676	A	V	26	56	108XA	L-KL-2670	37
FE080-SDK.6N.V7	140 677	K	V	36	78	108XA	L-KL-2671	40
FE080-SDQ.6N.V7	140 678	Q	V	46	102	108XA	L-KL-2672	43

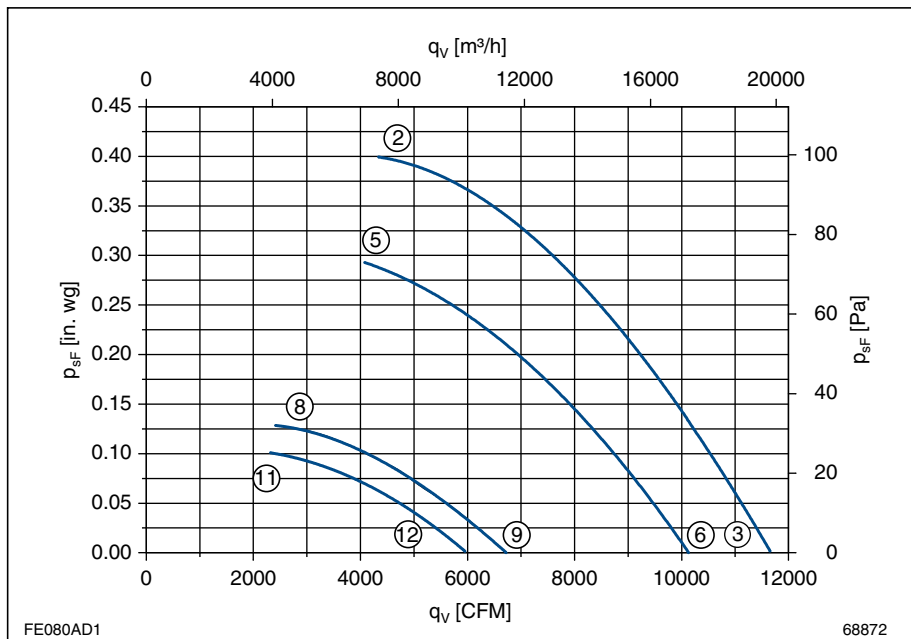
FE080-AD_.6N.V7

Performance data

3 ~ 460V Δ/Y 60Hz

P_1	1.20/0.4	kW
I	2.9/1.05	A
n	640/360	rpm
I_A	5.6/1.9	A
ΔI	0	%
t_R	50/122	°C/°F

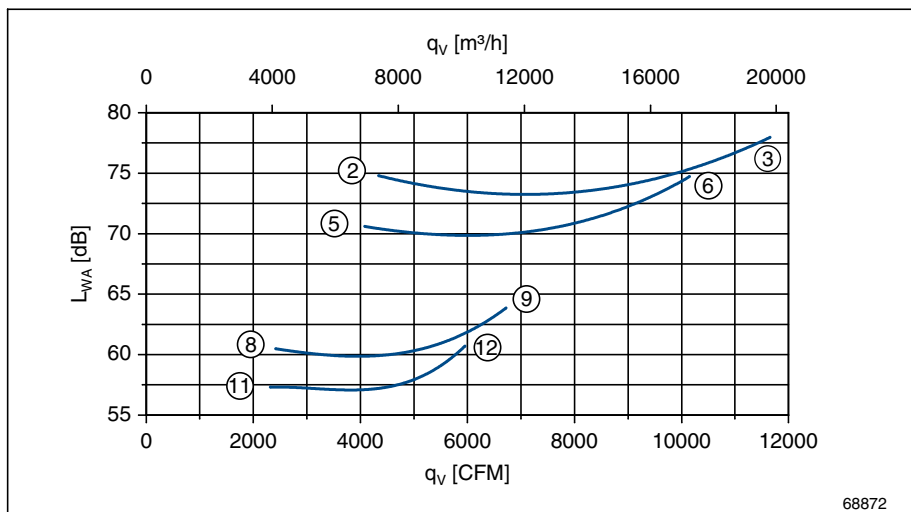
Characteristic data



	U	I	P_1	n
	V	A	W	rpm
②	460	2.90	1220	640
③	Δ	2.60	1100	720
⑤	400	2.60	920	550
⑥	Δ	2.40	870	640
⑧	460	1.05	400	360
⑨	Y	1.00	390	420
⑪	400	0.92	310	320
⑫	Y	0.92	300	380

$$p_{d2} = 1.9 \cdot 10^{-7} \cdot q_v^2$$

measured in full bell mouth without guard grille in installation type A according to ISO 5801



Dimension sheet

Type	Article no.	Design	Airflow direction	Weight		Connection diagram	Dimension sheet	Page
				kg	lbs.			
FE080-ADA.6N.V7	140 679	A	V	26	56	108XA	L-KL-2670	37
FE080-ADK.6N.V7	140 680	K	V	36	78	108XA	L-KL-2671	40
FE080-ADQ.6N.V7	140 681	Q	V	46	102	108XA	L-KL-2672	43

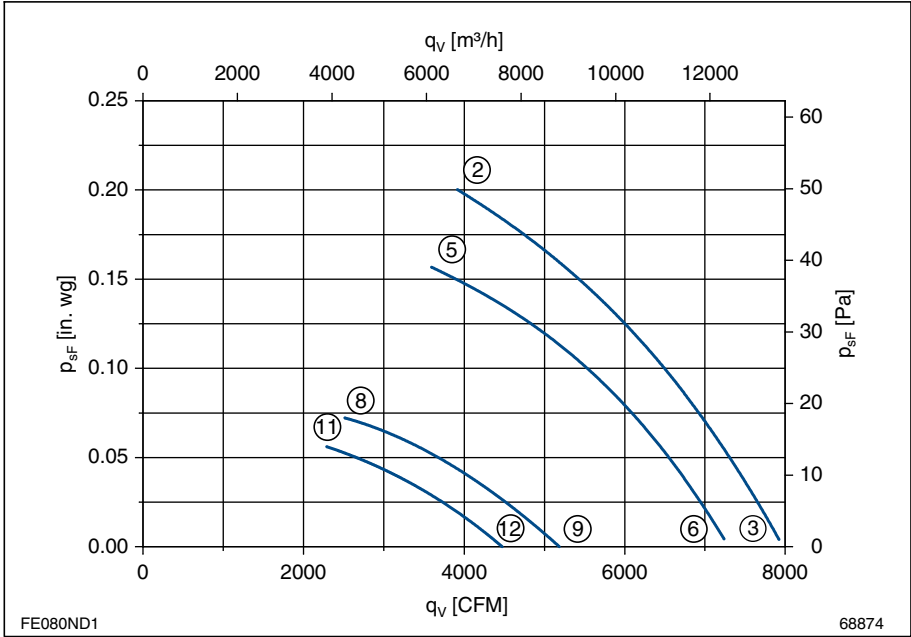
FE080-ND_.6K.V7

Performance data

3 ~ 460V Δ/Y 60Hz

P_1	0.48/0.19	kW
I	1.30/0.50	A
n	460/290	rpm
I_A	2/0.7	A
ΔI	0	%
t_R	70/158	°C/°F

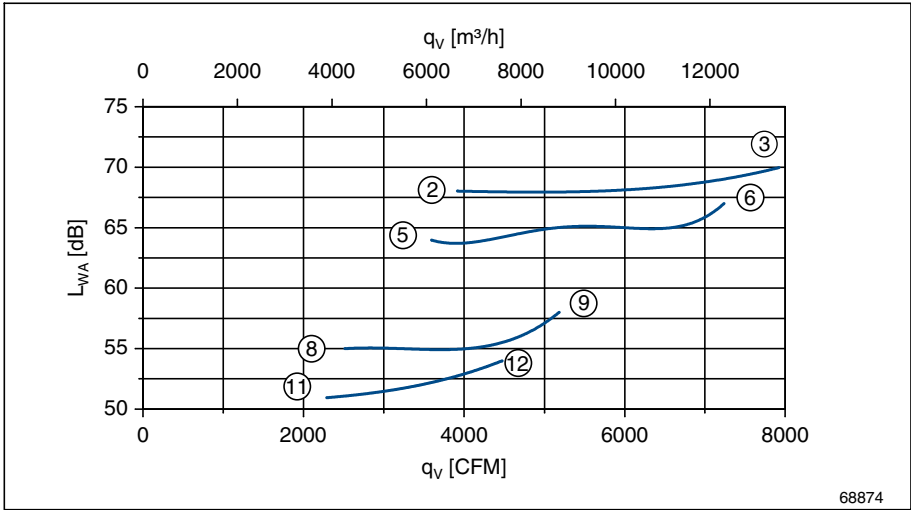
Characteristic data



	U	I	P_1	n
	V	A	W	rpm
②	460	1.30	480	460
③	Δ	1.20	420	500
⑤	400	1.15	390	410
⑥	Δ	1.10	350	460
⑧	460	0.49	185	290
⑨	Y	0.47	180	330
⑪	400	0.44	145	250
⑫	Y	0.43	140	290

$$p_{d2} = 1.9 \cdot 10^{-7} \cdot q_v^2$$

measured in full bell mouth
without guard grille in installation
type A according to ISO 5801



Dimension sheet

Type	Article no.	Design	Airflow direction	Weight		Connection diagram	Dimension sheet	Page
				kg	lbs.			
FE080-NDA.6K.V7	141 591	A	V	21	47	108XA	L-KL-2670	37
FE080-NDK.6K.V7	141 592	K	V	32	71	108XA	L-KL-2671	40
FE080-NDQ.6K.V7	141 593	Q	V	42	92	108XA	L-KL-2672	43

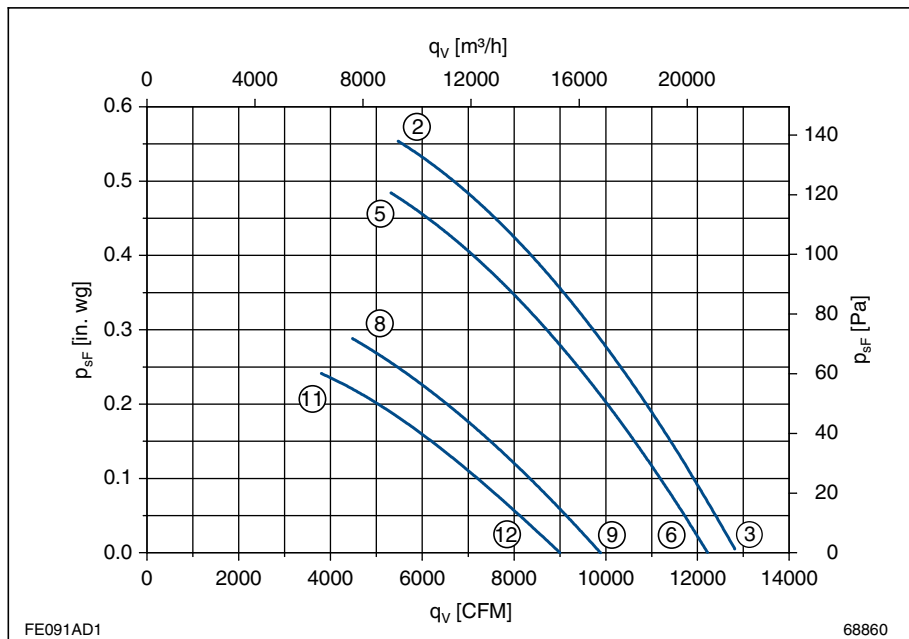
FE091-AD_.6N.V7

Performance data

3 ~ 460V Δ/Y 60Hz

P_1	1.25/0.66	kW
I	2.7/1.2	A
n	740/550	rpm
I_A	10/3.2	A
ΔI	0	%
t_R	70/158	°C/°F

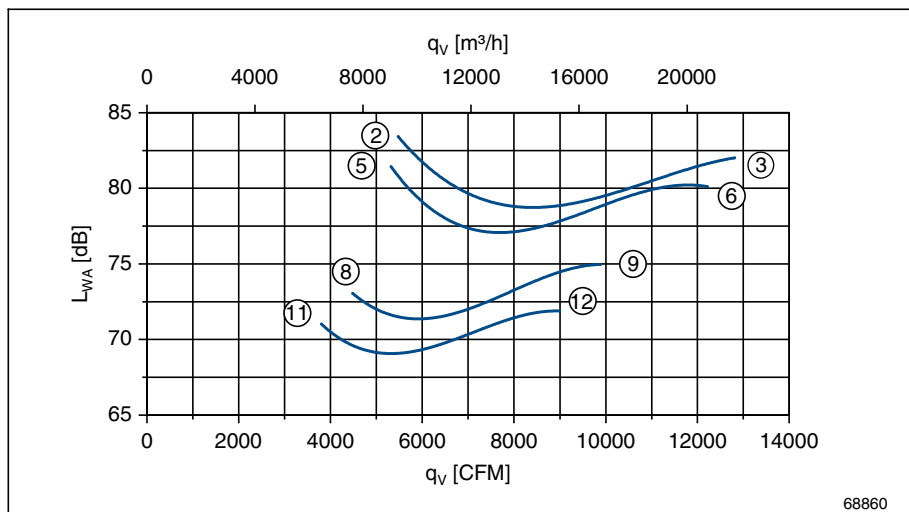
Characteristic data



	U	I	P_1	n
	V	A	W	rpm
②	460	2.7	1250	740
③	Δ	2.5	1020	780
⑤	400	2.5	1080	700
⑥	Δ	2.3	900	740
⑧	460	1.2	660	550
⑨	Y	1.1	590	610
⑪	400	1.1	540	500
⑫	Y	1.0	490	560

$$p_{d2} = 1.1 \cdot 10^{-7} \cdot q_v^2$$

measured in full bell mouth
without guard grille in installation
type A according to ISO 5801



Dimension sheet

Type	Article no.	Design	Airflow direction	Weight		Connection diagram	Dimension sheet	Page
				kg	lbs.			
FE091-ADA.6N.V7	141 526	A	V	26	57	108XA	L-KL-2670	37
FE091-ADK.6N.V7	141 527	K	V	43	95	108XA	L-KL-2671	40
FE091-ADQ.6N.V7	141 528	Q	V	58	128	108XA	L-KL-2672	43

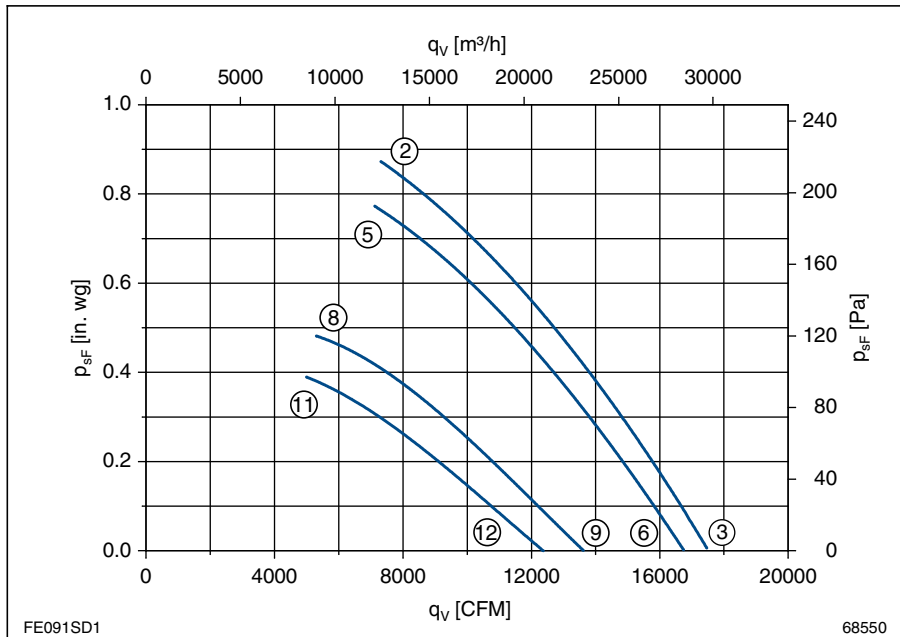
FE091-SD_.6N.V5

Performance data

3 ~ 460V Δ/Y 60Hz

P_1	2.3/1.35	kW
I	4.0/2.1	A
n	1010/760	rpm
I_A	12/4.0	A
ΔI	0	%
t_R	55/131	°C/°F

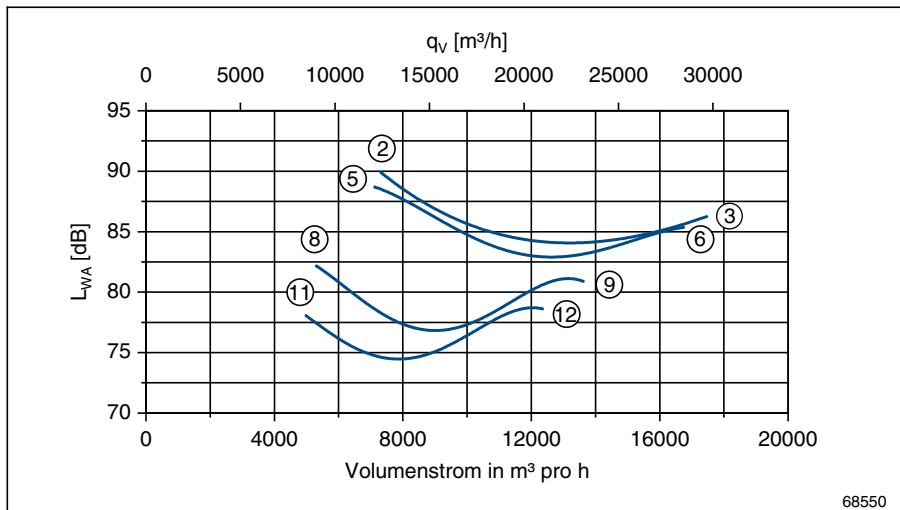
Characteristic data



	U	I	P_1	n
	V	A	W	rpm
②	460	4.00	2270	1010
③	Δ	3.50	1890	1060
⑤	400	3.90	2030	970
⑥	Δ	3.40	1710	1020
⑧	460	2.10	1320	760
⑨	Y	1.85	1190	840
⑪	400	2.00	1080	690
⑫	Y	1.80	1000	760

$$p_{d2} = 1.1 \cdot 10^{-7} \cdot q_v^2$$

measured in full bell mouth
without guard grille in installation
type A according to ISO 5801



Dimension sheet

Type	Article no.	Design	Airflow direction	Weight		Connection diagram	Dimension sheet	Page
				kg	lbs.			
FE091-SDA.6N.V5	140 682	A	V	26	56	108XA	L-KL-2670	37
FE091-SDK.6N.V5	140 683	K	V	50	109	108XA	L-KL-2671	40
FE091-SDQ.6N.V5	140 684	Q	V	52	114	108XA	L-KL-2672	43

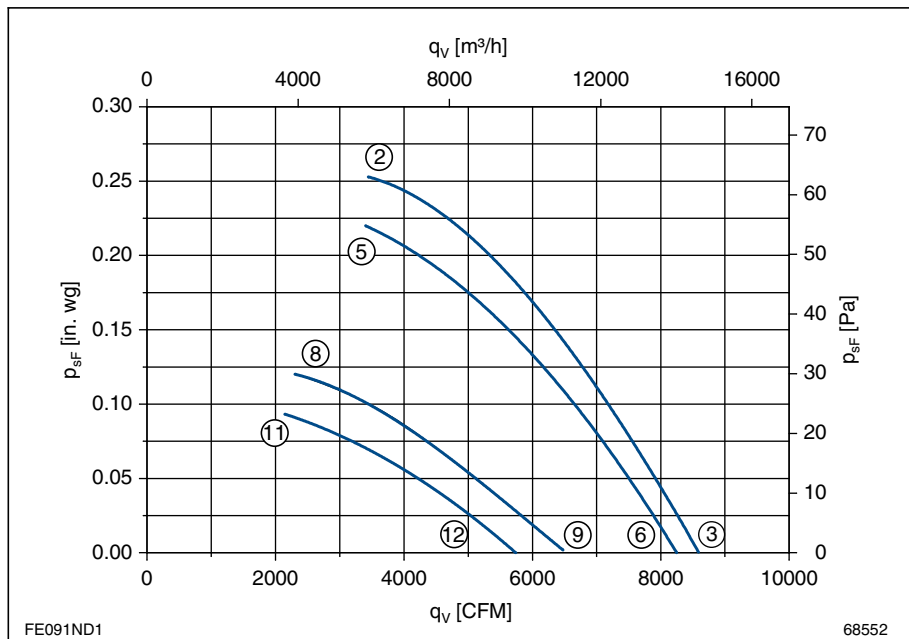
FE091-ND_.6K.V7

Performance data

3 ~ 460V Δ/Y 60Hz

P_1	0.49/0.23	kW
I	1.45/0.58	A
n	500/340	rpm
I_A	3.0/1.0	A
ΔI	0	%
t_R	70/158	°C/°F

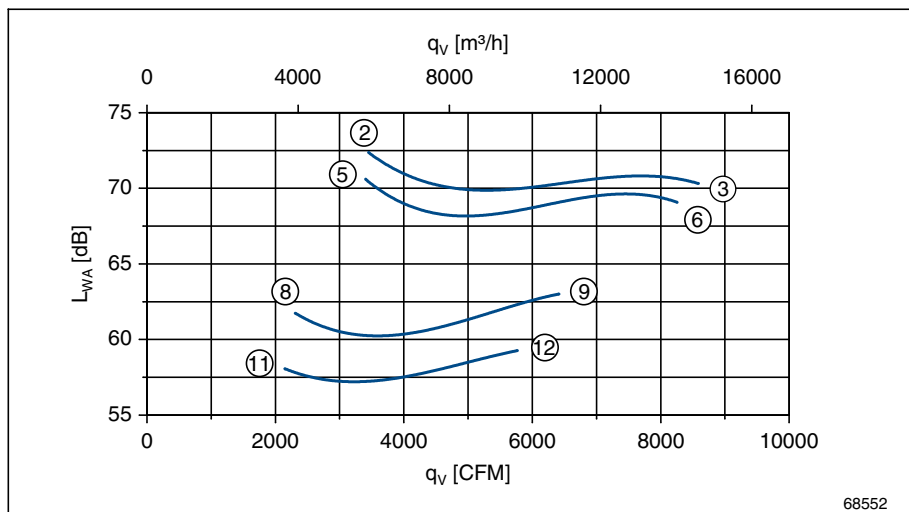
Characteristic data



	U	I	P_1	n
	V	A	W	rpm
②	460	1.45	490	500
③	Δ	1.35	400	530
⑤	400	1.30	410	470
⑥	Δ	1.25	350	510
⑧	460	0.58	230	340
⑨	Y	0.55	210	400
⑪	400	0.53	180	300
⑫	Y	0.50	170	360

$$p_{d2} = 1.1 \cdot 10^{-7} \cdot q_v^2$$

measured in full bell mouth without guard grille in installation type A according to ISO 5801



Dimension sheet

Type	Article no.	Design	Airflow direction	Weight		Connection diagram	Dimension sheet	Page
				kg	lbs.			
FE091-NDA.6K.V7	140 685	A	V	22	47	108XA	L-KL-2670	37
FE091-NDK.6K.V7	140 686	K	V	32	71	108XA	L-KL-2671	40
FE091-NDQ.6K.V7	140 687	Q	V	47	103	108XA	L-KL-2672	43

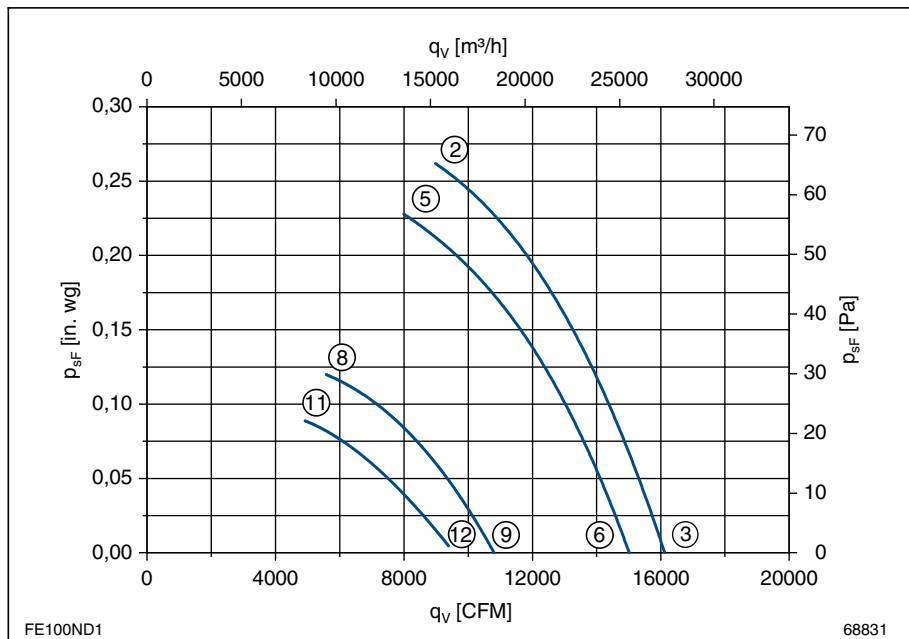
FE100-ND_.6N.V7

Performance data

3 ~ 460V Δ/Y 60Hz

P_1	1.3/0.64	kW
I	2.35/1.15	A
n	480/320	rpm
I_A	4.5/1.5	A
ΔI	0	%
t_R	65/149	°C/°F

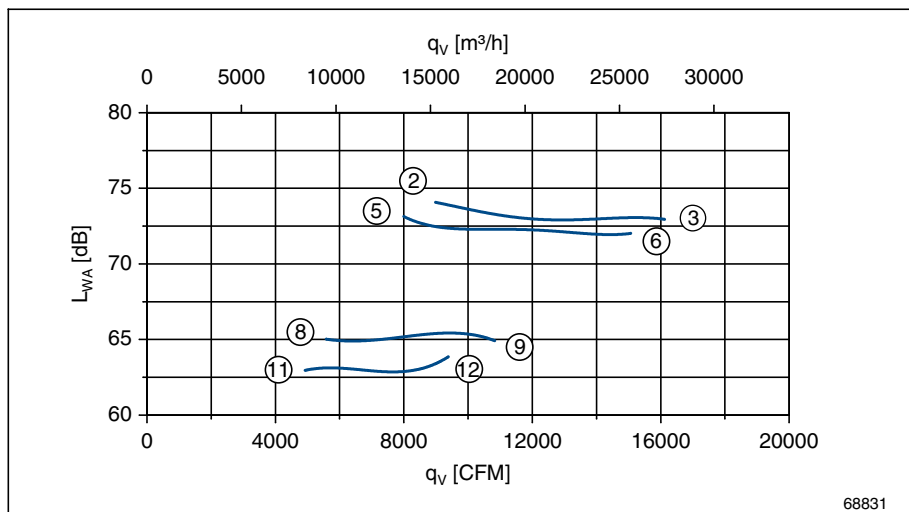
Characteristic data



	U	I	P_1	n
	V	A	W	rpm
②	460	2.35	1310	480
③	Δ	2.20	1220	490
⑤	400	2.20	1150	440
⑥	Δ	2.10	1070	460
⑧	460	1.15	660	320
⑨	Y	1.01	640	330
⑪	400	1.05	520	270
⑫	Y	1.00	510	290

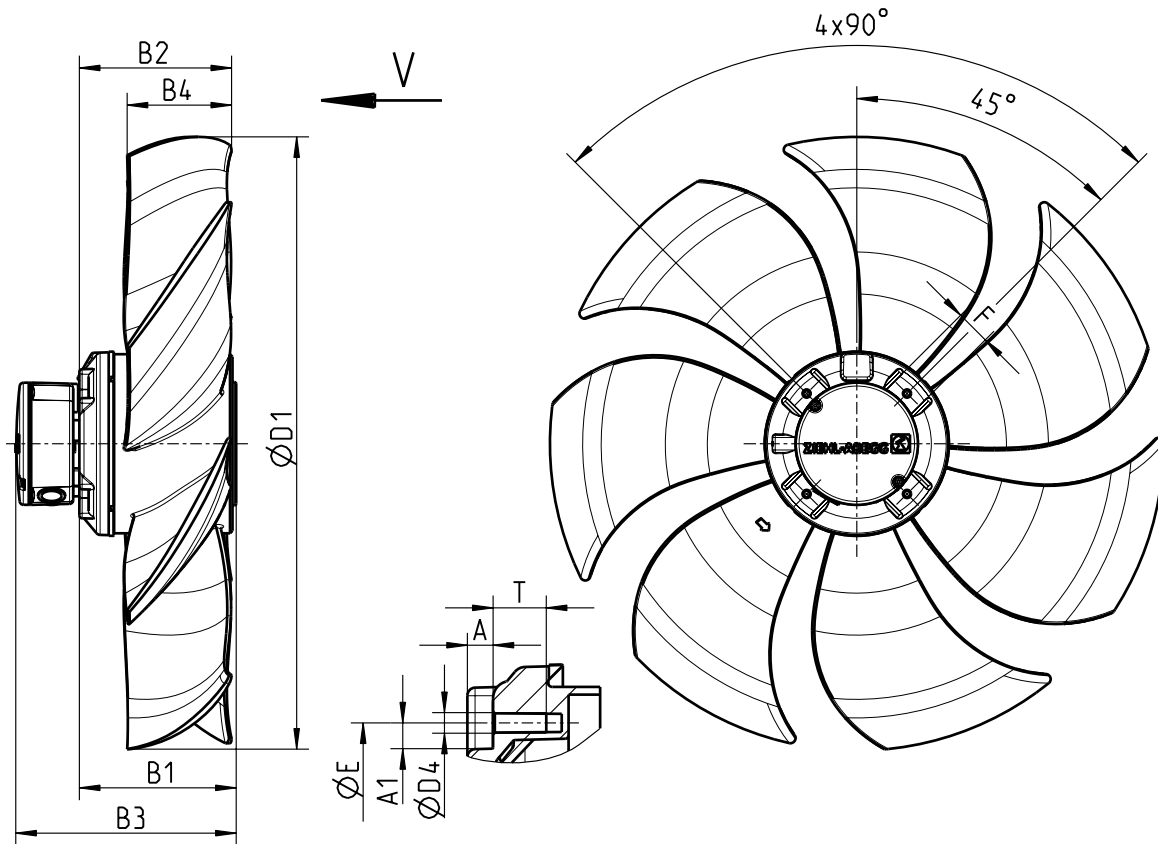
$$p_{d2} = 7.5 \cdot 10^{-8} \cdot q_v^2$$

measured in full bell mouth
without guard grille in installation
type A according to ISO 5801



Dimension sheet

Type	Article no.	Design	Airflow direction	Weight		Connection diagram	Dimension sheet	Page
				kg	lbs.			
FE100-NDA.6N.V7	140 688	A	V	28	61	108XA	L-KL-2670	37
FE100-NDQ.6N.V7	140 689	Q	V	57	125	108XA	L-KL-2672	43



L-KL-2664

FE

Type	Article no.	A		A1		B1		B2		B3		B4		D1		D4	E		F		T	
		mm	inch	mm	inch	mm	inch	mm	inch	mm	inch	mm	inch	mm	inch		mm	inch	mm	inch	mm	inch
FE045-VDA.4I.V7	140 661	7.5	0.3	7.5	0.3	161	6.34	123	4.84	215	8.46	84	3.31	446	17.56	M6	115	4.53	28	1.1	15.5	0.61
FE050-VDA.4I.V7	140 649	7.5	0.3	7.5	0.3	161	6.34	124	4.88	215	8.46	85	3.35	497.5	19.59	M6	115	4.53	28	1.1	15.5	0.61
FE056-SDA.4F.V7	140 652	7.5	0.3	7.5	0.3	141	5.55	132	5.2	195	7.68	83	3.27	552	21.73	M6	115	4.53	28	1.1	15.5	0.61
FE063-SDA.4M.V7	140 655	7.5	0.3	7.5	0.3	181	7.13	134	5.28	235	9.25	88	3.46	627	24.69	M6	115	4.53	28	1.1	15.5	0.61
FE063-ADA.4I.V7	140 658	7.5	0.3	7.5	0.3	161	6.34	134	5.28	215	8.46	88	3.46	627	24.69	M6	115	4.53	28	1.1	15.5	0.61

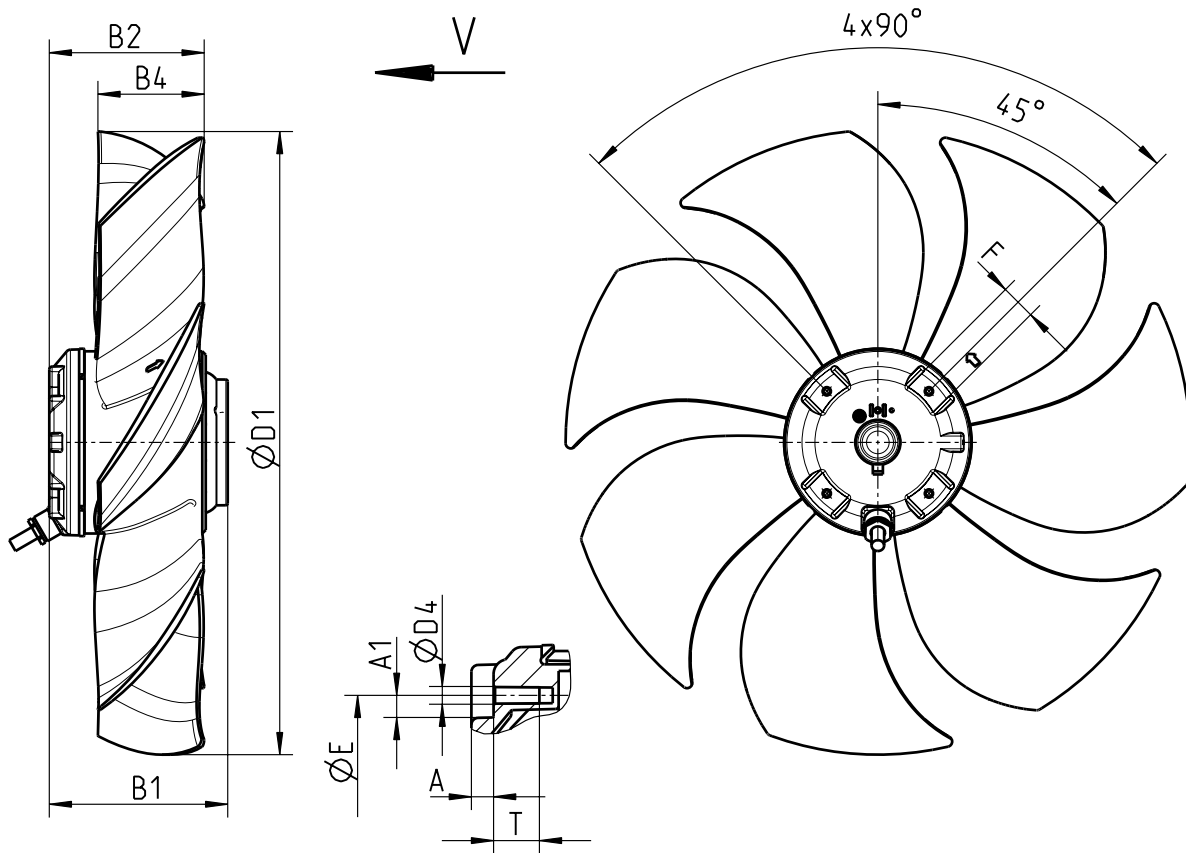
L-KL-2664

Electrical connection
Terminal box K03

FE_ _ _ - _ EA.4 .V7

Airflow direction V

Design A

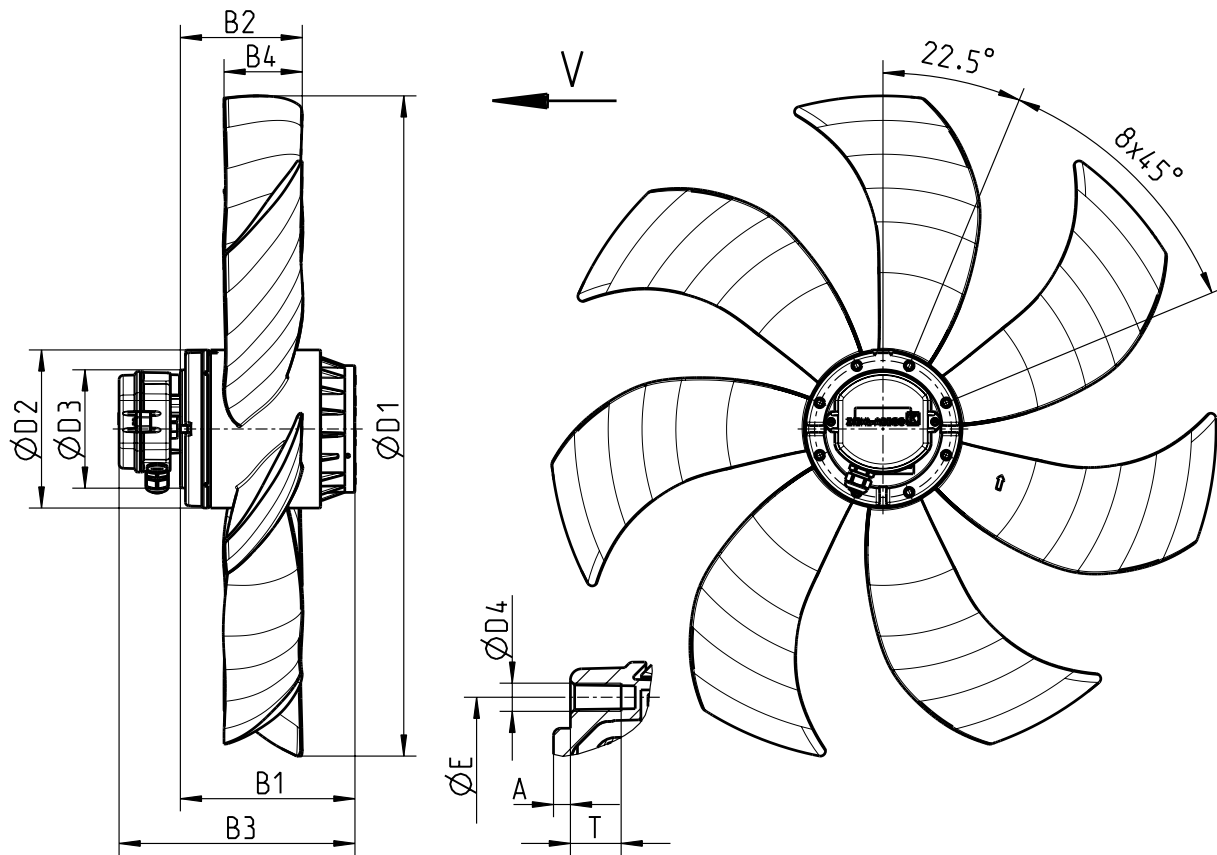


L-KL-2667

Type	Article no.	A		A1		B1		B2		B4		D1		D4	E		F		T	
		mm	inch	mm	inch	mm	inch	mm	inch	mm	inch	mm	inch		mm	inch	mm	inch	mm	inch
FE045-4EA.4I.V7	140 664	7.5	0.3	7.5	0.3	161	6.34	123	4.84	84	3.31	446	17.56	M6	115	4.53	28	1.1	15.5	0.61
FE050-4EA.4M.V7	140 667	7.5	0.3	7.5	0.3	181	7.13	130	5.12	80	3.15	497,5	19.5	M6	115	4.53	28	1.1	15.5	0.61
FE056-6EA.4I.V7	140 670	7.5	0.3	7.5	0.3	161	6.34	132	4.84	83	3.27	552	21.73	M6	115	4.53	28	1.1	15.5	0.61

L-KL-2667

Electrical connection
Connection cable



L-KL-2670

FE

Type	Article no.	A		B1		B2		B3		B4		D1		D2		D3		D4	E		T	
		mm	inch	mm	inch	mm	inch	mm	inch	mm	inch	mm	inch	mm	inch	mm	inch		mm	inch	mm	inch
FE071-SDA.6K.V7	141 479	6	0.24	182	7.17	127	5	254.5	10.02	72	2.83	703	27.68	187	7.36	140	5.51	M10	162	6.38	18	0.71
FE071-ADA.6F.V7	140 673	6	0.24	157	6.18	127	5	229.5	9.04	72	2.83	703	27.68	187	7.36	140	5.51	M10	162	6.38	18	0.71
FE080-SDA.6N.V7	140 676	6	0.24	207	8.15	144	5.67	279.5	11	93	3.66	788	31.02	187	7.36	140	5.51	M10	162	6.38	18	0.71
FE080-ADA.6N.V7	140 679	6	0.24	207	8.15	144	5.67	279.5	11	93	3.66	788	31.02	187	7.36	140	5.51	M10	162	6.38	18	0.71
FE080-NDA.6K.V7	141 591	6	0.24	182	7.17	144	5.67	229.5	9.04	93	3.66	788	31.02	187	7.36	140	5.51	M10	162	6.38	18	0.71
FE091-SDA.6N.V5	140 682	6	0.24	207	8.15	118	4.65	279.5	11	53	2.09	905	35.63	187	7.36	140	5.51	M10	162	6.38	18	0.71
FE091-ADA.6N.V7	141 526	6	0.24	207	8.15	118	4.65	279.5	11	53	2.09	905	35.63	187	7.36	140	5.51	M10	162	6.38	18	0.71
FE091-NDA.6K.V7	140 685	6	0.24	182	7.17	118	4.65	229.5	9.04	53	2.09	905	35.63	187	7.36	140	5.51	M10	162	6.38	18	0.71
FE100-NDA.6N.V7	140 688	6	0.24	207	8.15	165	6.5	279.5	11	98	3.86	990	38.98	187	7.36	140	5.51	M10	162	6.38	18	0.71

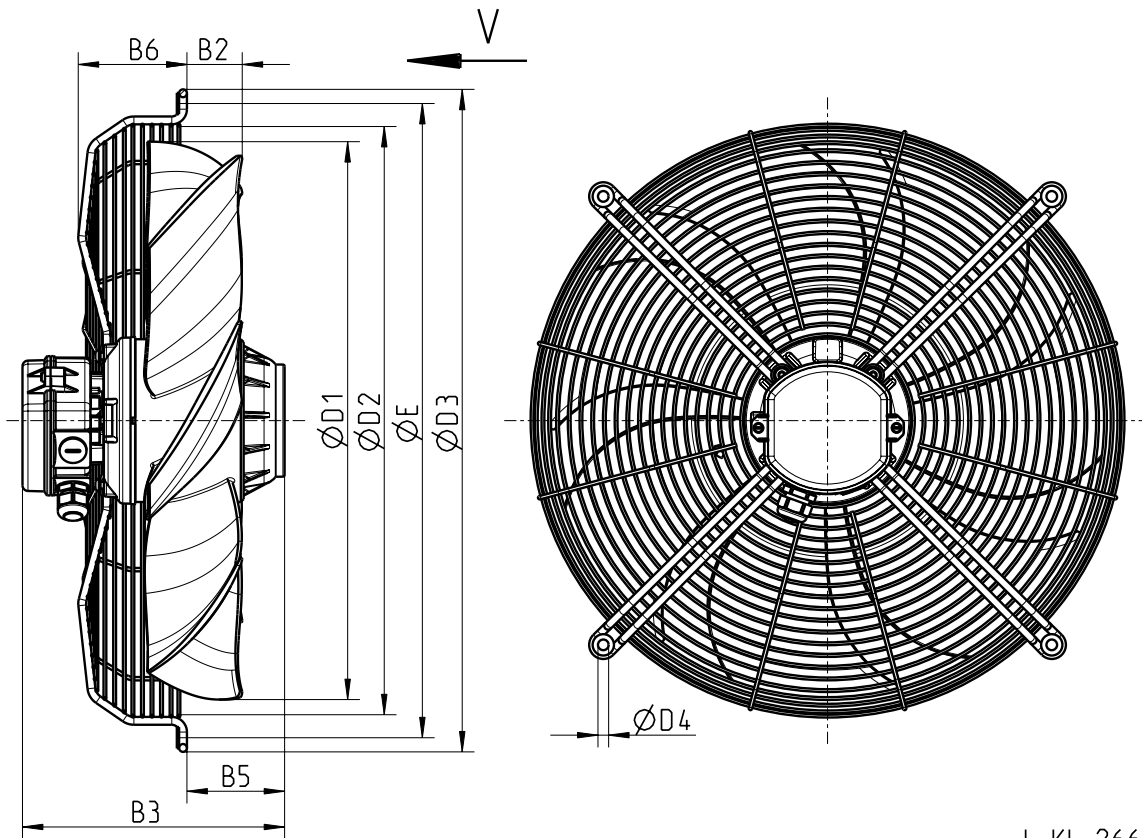
L-KL-2670

Electrical connection
Terminal box K07

FE_ _ _ - _ DK.4 .V7

Airflow direction V

Design K



L-KL-2665

Type	Article no.	B2		B3		B5		B6		D1		D2		D3		D4		E	
		mm	inch	mm	inch	mm	inch	mm	inch	mm	inch	mm	inch	mm	inch	mm	inch	mm	inch
FE045-VDK.4I.V7	140 662	47	1.85	234	9.21	88	3.46	96	3.78	446	17.56	474	18.66	539	21.22	9.5	0.37	515	20.28
FE050-VDK.4I.V7	140 650	50	1.97	234	9.21	108	4.25	97	3.82	497.5	19.59	524	20.63	590	23.23	9.5	0.37	565	22.24
FE056-SDK.4F.V7	140 653	41	1.61	214	8.43	70	2.76	92	3.62	552	21.73	648	25.51	725	28.54	9.5	0.37	700	27.56
FE063-SDK.4M.V7	140 655	31	1.22	254	10	78	3.07	145	5.71	627	24.69	715	28.15	780	30.71	9.5	0.37	750	29.53
FE063-ADK.4I.V7	140 658	31	1.22	234	9.21	58	2.28	132	5.2	627	24.69	693	27.28	778	30.63	9.5	0.37	750	29.53

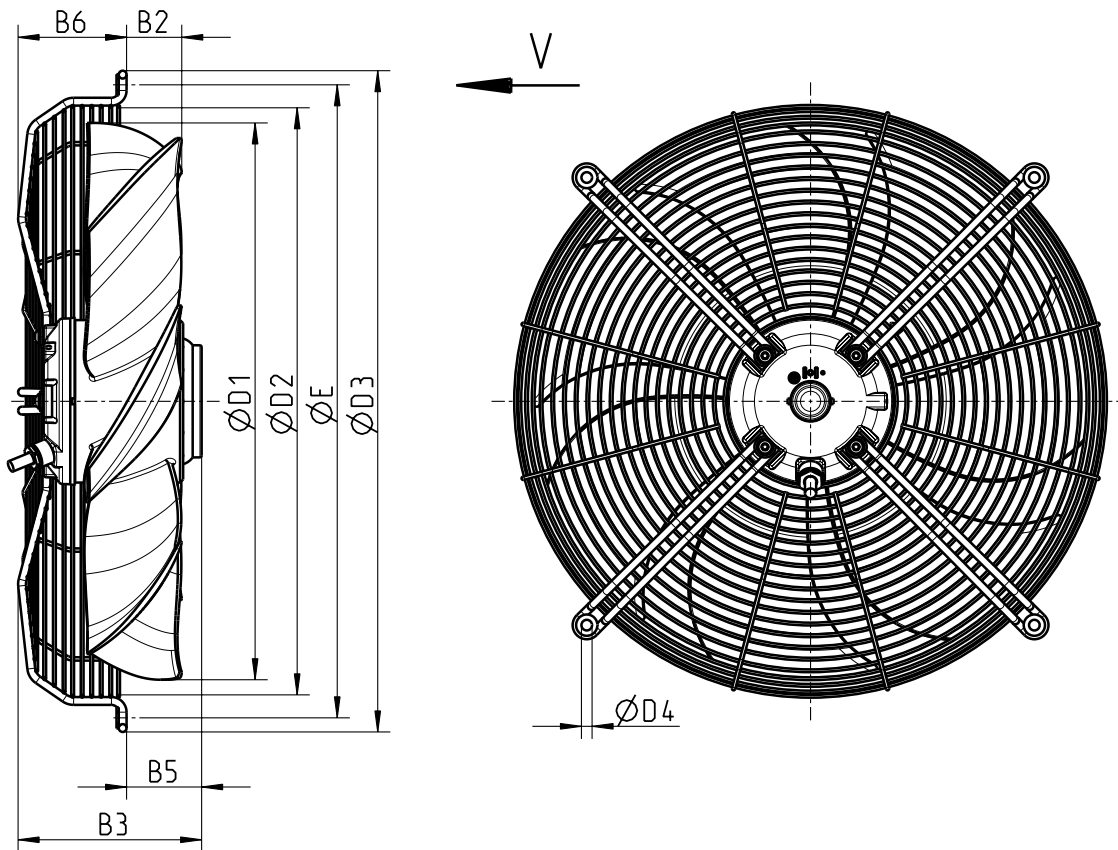
L-KL-2665

Electrical connection
Terminal box K07

FE_ _ _ - _ EK.4 .V7

Airflow direction V

Design K



FE

L-KL-2668

Type	Article no.	B2		B3		B5		B6		D1		D2		D3		D4		E	
		mm	inch	mm	inch	mm	inch	mm	inch	mm	inch	mm	inch	mm	inch	mm	inch	mm	inch
FE045-4EK.4I.V7	140 665	47	1.85	184	7.24	88	3.46	96	3.78	446	17.56	474	18.66	539	21.22	9.5	0.37	515	20.28
FE050-4EK.4M.V7	140 668	50	1.97	205	8.07	108	4.25	97	3.82	497.5	19.59	524	20.63	590	23.23	9.5	0.37	565	22.24
FE056-6EK.4I.V7	140 671	41	1.61	162	6.38	70	2.76	92	3.62	552	21.73	648	25.51	725	28.54	9.5	0.37	700	27.56

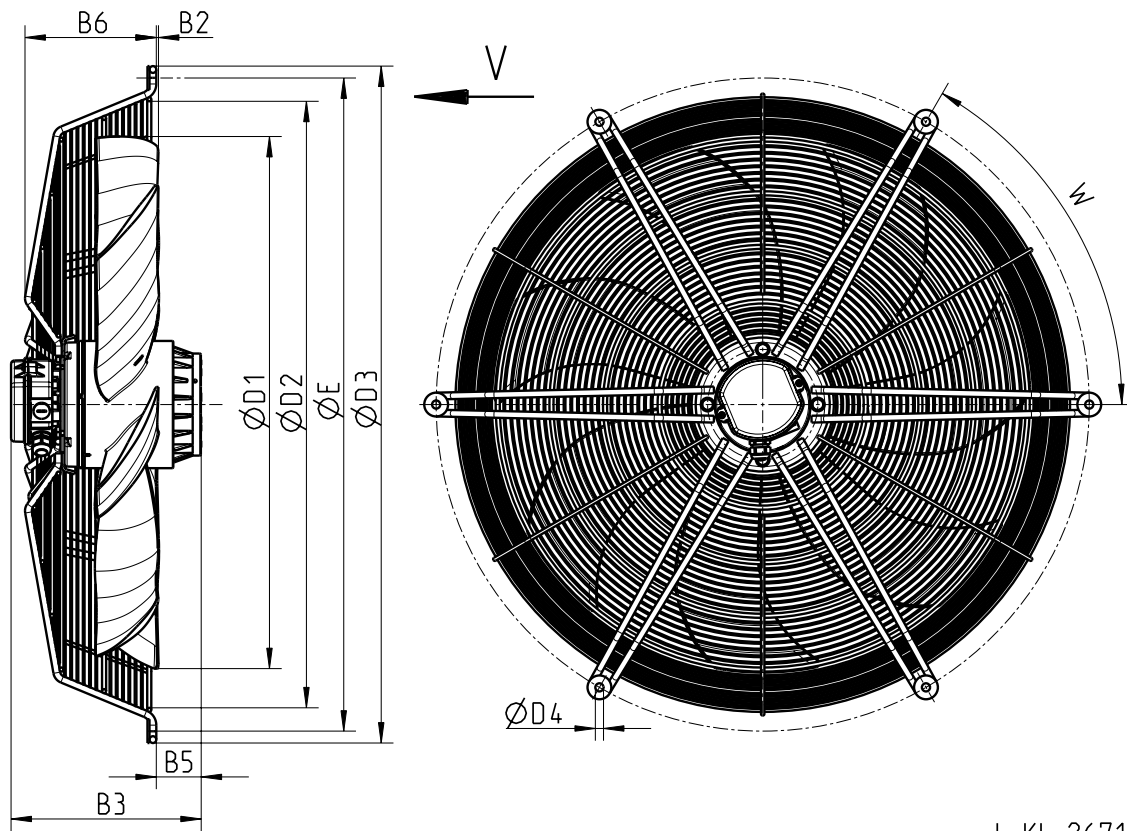
L-KL-2668

Electrical connection
Connection cable

FE_ _ _ - DK.6_V_

Airflow direction V

Design K



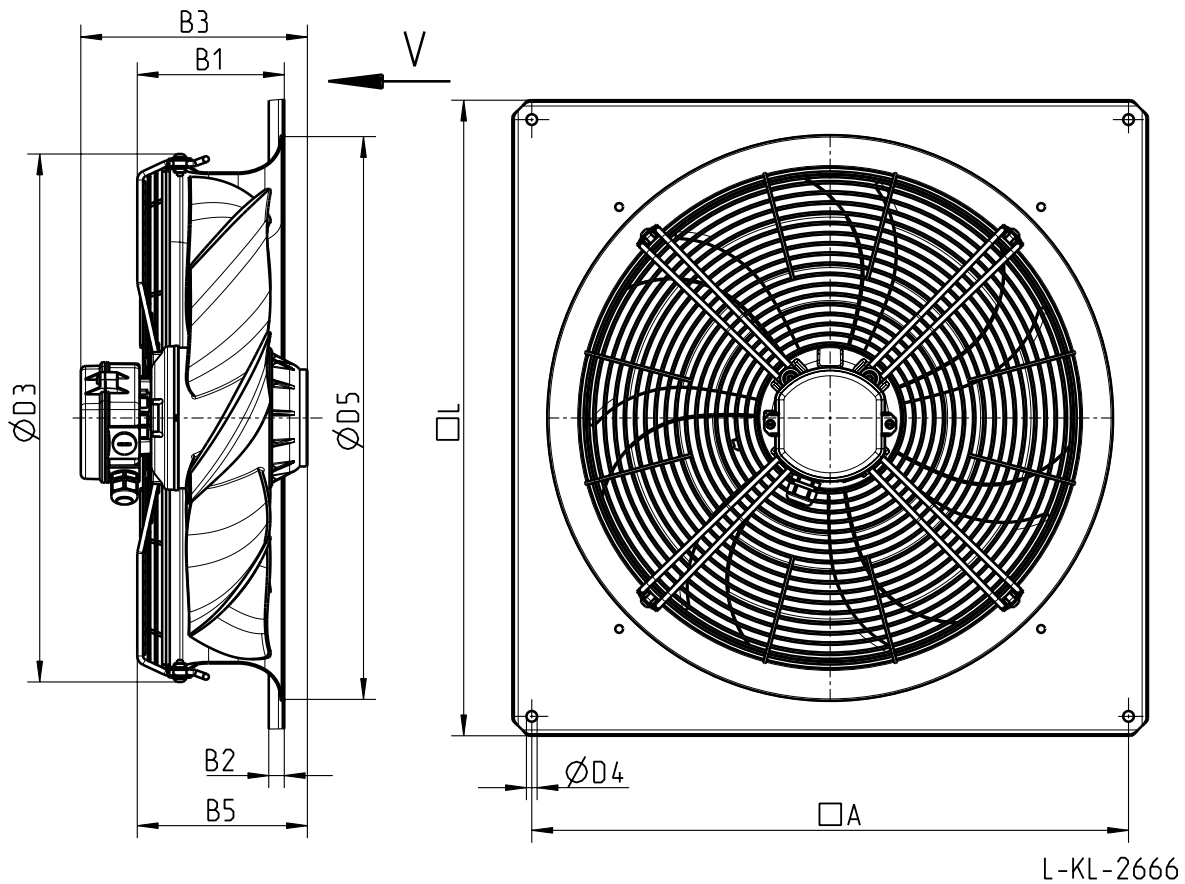
L-KL-2671

FE

Type	Article no.	B2		B3		B5		B6		D1		D2		D3		D4		E		W
		mm	inch	mm	inch	mm	inch	mm	inch	mm	inch	mm	inch	mm	inch	mm	inch	mm	inch	
FE071-SDK.6K.V7	141 480	-		254	10	47	1.85	187	7.36	703	27.68	786	30.94	888	34.96	12	0.47	853	33.58	4x90°
FE071-ADK.6F.V7	140 674	-		229	9.02	22	0.87	187	7.36	703	27.68	786	30.94	888	34.96	12	0.47	853	33.58	4x90°
FE080-SDK.6N.V7	140 677	-		279	10.98	66	2.6	193	7.6	788	31.02	892	35.12	995	39.17	12	0.47	960	37.8	6x60°
FE080-ADK.6N.V7	140 680	3	0.12	279	10.98	66	2.6	193	7.6	788	31.02	892	35.12	995	39.17	12	0.47	960	37.8	6x60°
FE080-NDK.6K.V7	141 592	3	0.12	254	10	41	1.61	193	7.6	788	31.02	892	35.12	995	39.17	12	0.47	960	37.8	6x60°
FE091-SDK.6N.V5	140 683	-		279	10.98	64	2.52	212	8.35	905	35.63	934	36.77	1115	43.9	12	0.47	1075	42.32	4x90°
FE091-ADK.6N.V7	141 527	-		279	10.98	64	2.52	212	8.35	905	35.63	934	36.77	1115	43.9	12	0.47	1075	42.32	4x90°
FE091-NDK.6K.V7	140 686	-		254	10	39	1.54	212	8.35	905	35.63	934	36.77	1115	43.9	12	0.47	1075	42.32	4x90°

L-KL-2671

Electrical connection
Terminal box K07



FE

Type	Article no.	A		B1		B2		B3		B5		D3		D4		D5		L	
		mm	inch	mm	inch	mm	inch	mm	inch	mm	inch	mm	inch	mm	inch	mm	inch	mm	inch
FE045-VDQ-4I.V7	140 663	535	21.06	154.5	6.08	14	0.55	233.5	9.19	185.5	7.3	491	19.33	11	0.43	530	20.87	575	22.64
FE050-VDQ-4I.V7	140 651	615	24.21	151.5	5.96	16	0.63	233.5	9.19	175.5	6.91	544	21.42	11	0.43	580	22.83	655	25.79
FE056-SDQ-4F.V7	140 654	675	26.57	196	7.72	16	0.63	213.5	8.41	176	6.93	605	23.82	11	0.43	636	25.04	725	28.54
FE063-SDQ-4M.V7	140 657	750	29.53	211	8.31	20	0.79	253.5	9.98	181	7.13	682	26.85	11	0.43	696	27.4	805	31.69
FE063-ADQ-4I.V7	140 660	750	29.53	211	8.31	20	0.79	233.5	9.19	161	6.34	682	26.85	11	0.43	696	27.4	805	31.69

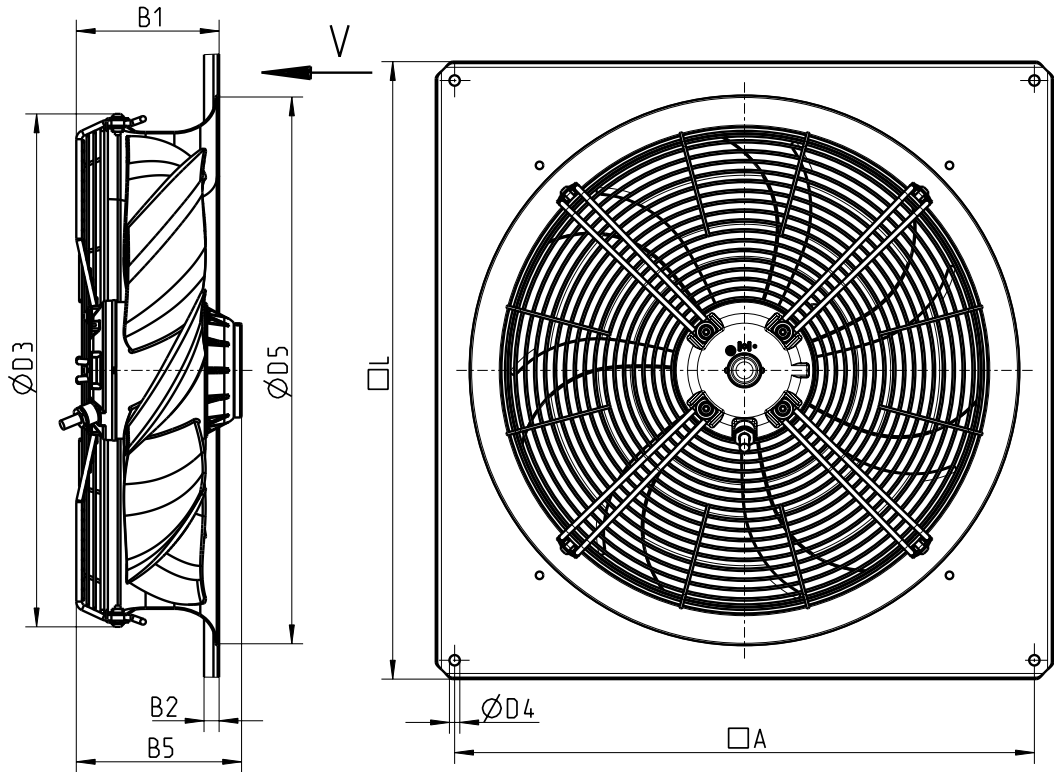
L-KL-2666

Electrical connection
Terminal box K07

FE____-EQ.4.V7

Airflow direction V

Design Q



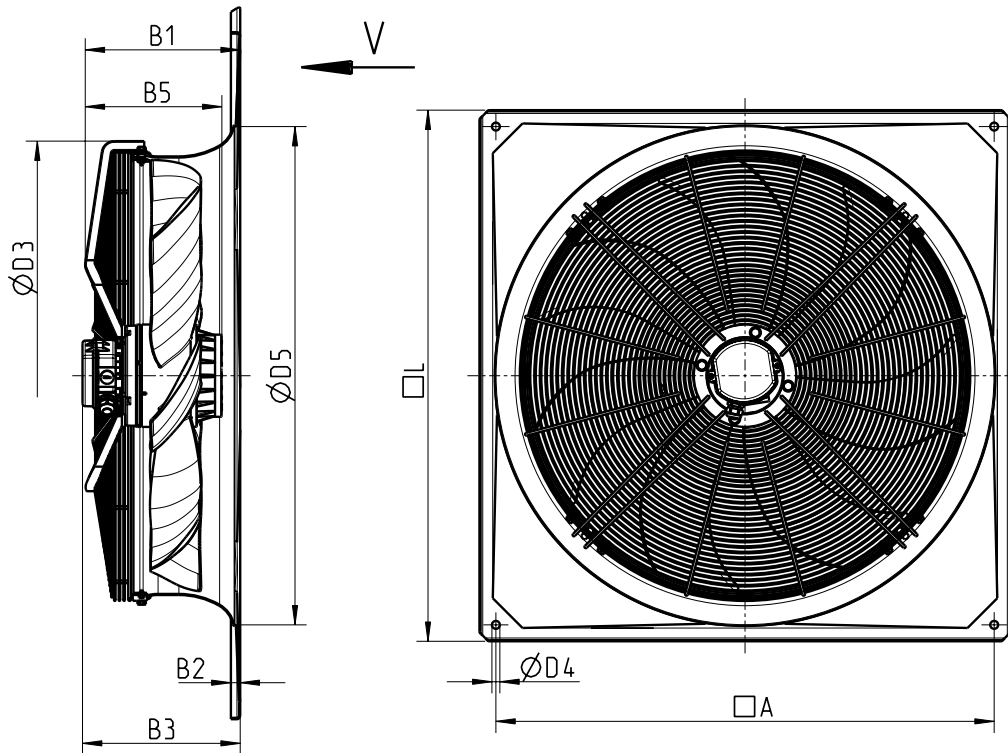
L-KL-2669

FE

Type	Article no.	A		B1		B2		B5		D3		D4		D5		L	
		mm	inch	mm	inch	mm	inch	mm	inch	mm	inch	mm	inch	mm	inch	mm	inch
FE045-4EQ-4I.V7	140 666	535	21.06	154.5	6.08	14	0.55	185.5	7.3	491	19.33	11	0.43	530	20.87	575	22.64
FE050-4EQ.4M.V7	140 668	615	24.21	151.5	5.96	16	0.63	195.5	7.7	544	21.42	11	0.43	580	22.83	655	25.79
FE056-6EQ-4I.V7	140 654	675	26.57	196	7.72	16	0.63	195	7.68	605	23.82	11	0.43	636	25.04	725	28.54

L-KL-2669

Electrical connection
Connection cable



L-KL-2672

FE

Type	Article no.	A		B1		B2		B3		B5		D3		D4		D5		L	
		mm	inch	mm	inch	mm	inch	mm	inch	mm	inch	mm	inch	mm	inch	mm	inch	mm	inch
FE071-SDQ.6K.V7	141 481	810	31.89	261	10.28	20	0.79	266	10.47	248.5	9.78	774	30.47	14.5	0.57	795	31.30	850	33.46
FE071-ADQ.6F.V7	140 675	810	31.89	261	10.28	20	0.79	266	10.47	223.5	8.8	774	30.47	14.5	0.57	795	31.30	850	33.46
FE080-SDQ.6N.V7	140 678	910	35.83	283	11.14	17	0.67	286	11.26	273.5	10.77	858	33.78	14.5	0.57	910	35.83	970	38.19
FE080-ADQ.6N.V7	140 681	910	35.83	283	11.14	17	0.67	286	11.26	273.5	10.77	858	33.78	14.5	0.57	910	35.83	970	38.19
FE080-NDQ.6K.V7	141 593	910	35.83	283	11.14	17	0.67	286	11.26	248.5	9.78	858	33.78	14.5	0.57	910	35.83	970	38.19
FE091-SDQ.6N.V5	140 684	1010	39.76	306	12.05	20	0.79	310	12.2	275	10.83	984	38.74	14.5	0.57	1025	40.35	1070	42.13
FE091-ADQ.6N.V7	141 528	1010	39.76	306	12.05	20	0.79	310	12.2	275	10.83	984	38.74	14.5	0.57	1025	40.35	1070	42.13
FE091-NDQ.6K.V7	140 687	1010	39.76	306	12.05	20	0.79	310	12.2	250	9.84	984	38.74	14.5	0.57	1025	40.35	1070	42.13
FE100-NDQ.6N.V7	140 689	1110	39.76	320	12.6	20	0.79	324	12.76	275	10.83	1071	42.17	14.5	0.57	1100	43.31	1170	46.06

L-KL-2672

Electrical connection
Terminal box K07

